

Refer to Detail E-8.01 for Drain Flashing requirements.

Membrane securement at 12" (305 mm) out from drain or at top of sump area and 12" o.c. (305 mm) required for Mechanically Attached Roof Systems. For FRM systems, this can be accomplished with seam plates and fasteners overlaid with either Bar Cover Tape or a target patch of EPDM or Uncured EPDM Flashing. For non-reinforced membranes, use Anchor Bar instead of Seam Plates, and flash in one of the methods mentioned.

GenFlex EPDM Membrane

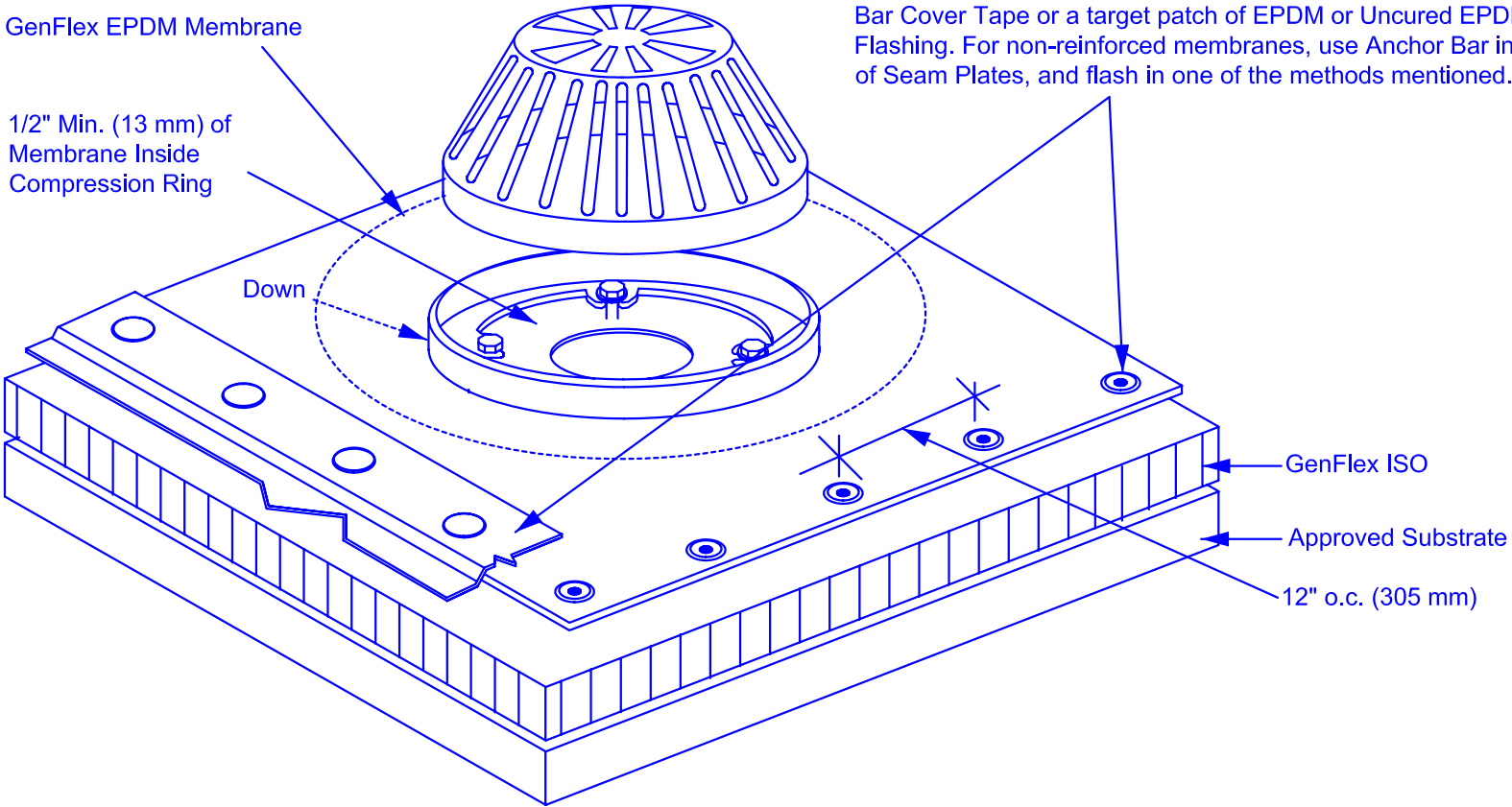
1/2" Min. (13 mm) of Membrane Inside Compression Ring

Down

GenFlex ISO

Approved Substrate

12" o.c. (305 mm)



Membrane Securement at Drain with Sump Greater Than or Equal to 2/12

EPDM Systems

ACCEPTABLE SYSTEMS:
Mechanically Attached Systems

MAXIMUM WARRANTY: **20 Years**

ISSUE / REVISION
DATE:
6-24-2015

NOT TO SCALE

DETAIL NO.
E-8.02