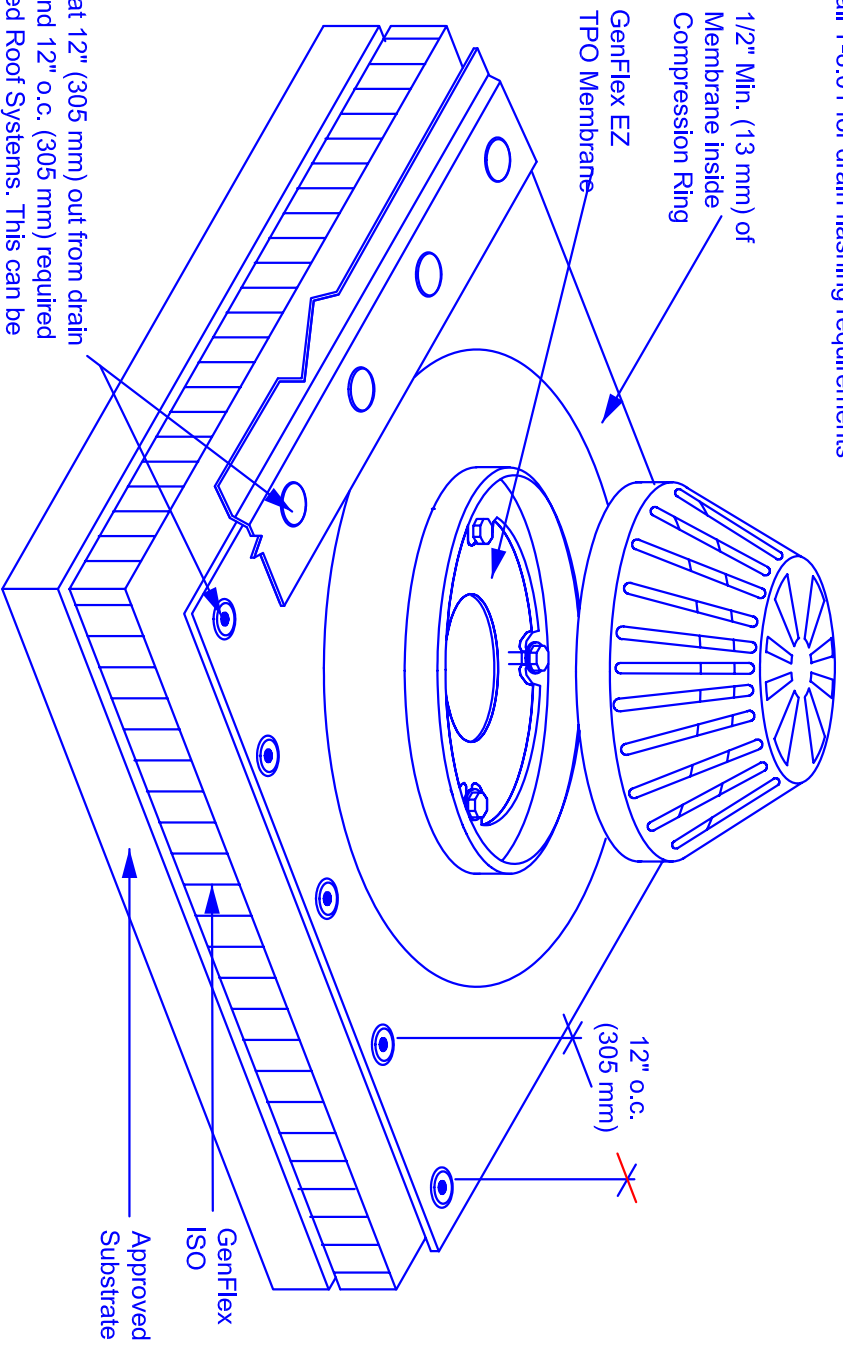


Refer to Detail T-8.01 for drain flashing requirements



Membrane securement at 12" (305 mm) out from drain or at top of sump area and 12" o.c. (305 mm) required for Mechanically Attached Roof Systems. This can be accomplished with seam plates and fasteners overlaid with TPO Cover Tape, a target patch of TPO field membrane, or 6" (152 mm) TPO Reinforced Flashing.



Membrane Securement at Drain with Sump

EZ TPO Systems

ACCEPTABLE SYSTEMS:
All

MAXIMUM WARRANTY: 20 Years

ISSUE / REVISION
DATE:

10-27-2015

DETAIL NO.

EZ-8.02

NOT TO SCALE