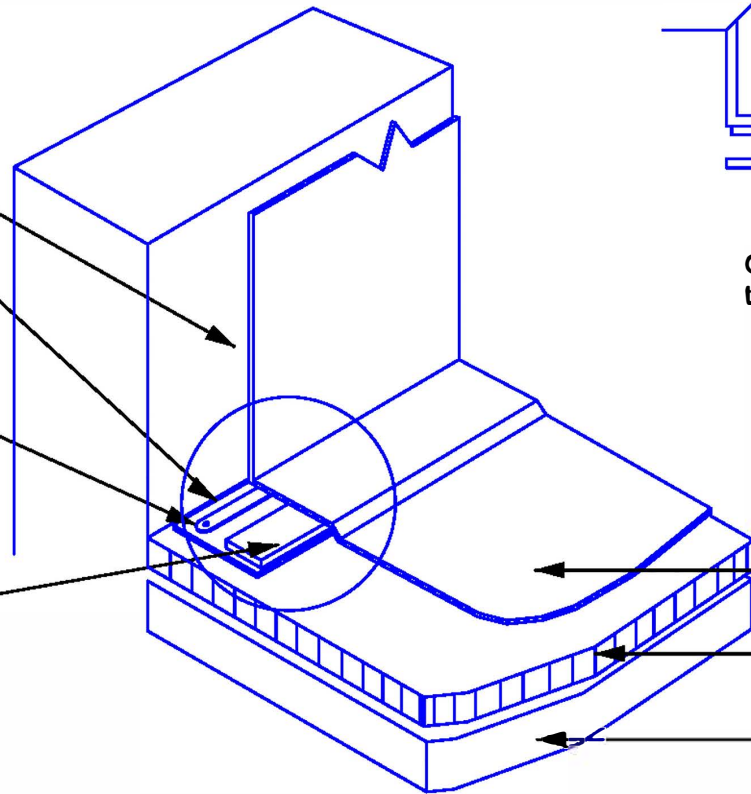


GenFlex EZ TPO Bonding Adhesive

1" (25 mm) Gap Required Between Edge of Bar / Disc and Edge of Reinforced Strip

GenFlex 2 3/8" WH Barb Plate or Bar Anchor with Approved Fasteners Each 12" o.c. (305 mm) Fastener Length Not to Exceed 6" (152 mm)

GenFlex 6" (152 mm) Peel & Stick RPS Bonded to the Primed Underside of the Deck Membrane and Rolled to Ensure 100% Contact



GenFlex Primer Applied to Underside of TPO

GenFlex EZ TPO Membrane

GenFlex ISO 4" Max. (102 mm) Thickness without a Wood Nail

Approved Substrate

Note: Horizontal Bar Anchor approved for adhered systems only.



**Horizontally Mounted Peel & Stick RPS**

EZ TPO Systems

ACCEPTABLE SYSTEMS:  
Fully Adhered, MAS

**MAXIMUM WARRANTY: 20 Years**

ISSUE / REVISION  
DATE:  
**3-3-2020**

NOT TO SCALE

DETAIL NO.

**EZ-2.05**