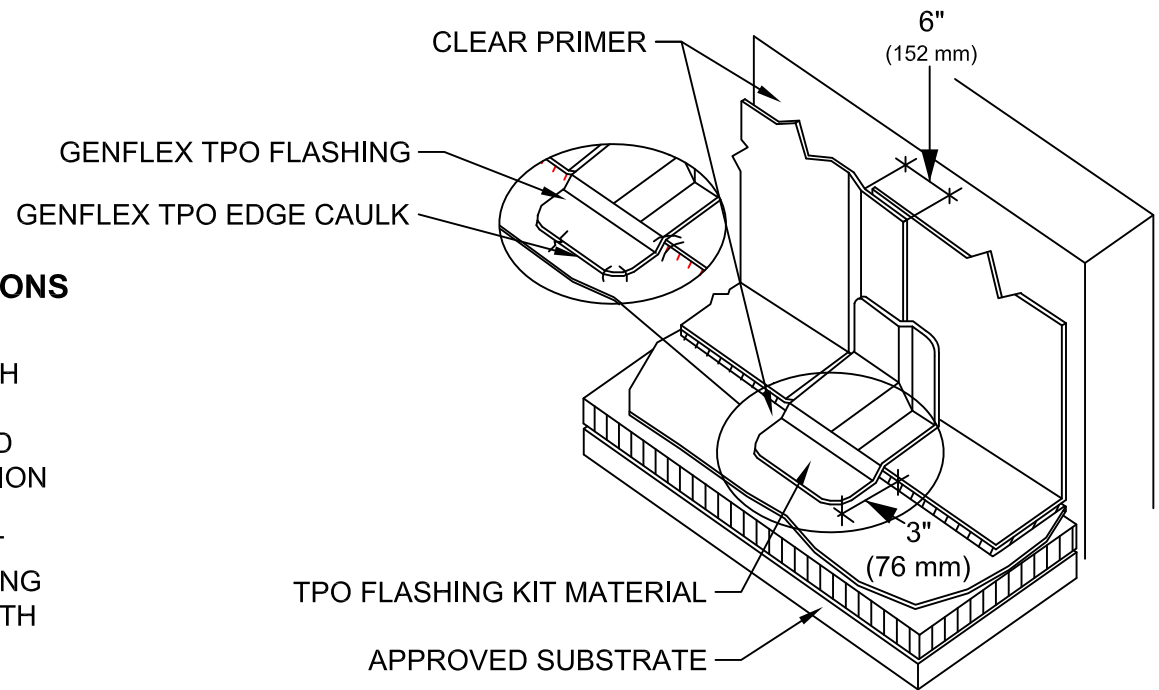


**REFER TO DETAIL EZ-S-6.01 FOR SEAMING OPTIONS**

**NOTE:**

1. ALL VERTICAL SUBSTRATES REQUIRE PRIMING WITH GENFLEX CLEAR PRIMER. POROUS, OR HIGHLY ABSORBANT SUBSTRATES MAY REQUIRE A SECOND PRIMER APPLICATION AFTER THE INITIAL APPLICATION SEALS THE SUBSTRATE.
2. EZFLEX PEEL & STICK TPO MAY BE SEAMED BY HOT AIR WELDING THE SELVEDGE EDGE OF THE FLASHING TO THE DECK SHEET (MIN. 1.5" WIDE WELDS) OR WITH 3" WHITE SEAM TAPE AND CLEAR PRIMER.
3. EZFLEX PEEL & STICK TPO MUST BE SEAMED IN ACCORDANCE WITH "SA" SEAMING INSTRUCTIONS - REFER TO 3.06.B3 IN THE EZFLEX PEEL & STICK TPO SPECIFICATION.
4. THE STRIP-IN FLASHING MUST EXTEND 3" (76.20 mm) BEYOND THE SEAM EDGE ONTO THE DECK SHEET AND VERTICALLY TO A POINT 3" (76 mm) ABOVE THE ANGLE CHANGE.
5. SEAMS REQUIRE A CONTINUOUS HIGH PROFILE BEAD OF EDGE CAULK THE SAME DAY THE SEAMS ARE ASSEMBLED.
6. STANDARD TPO MEMBRANE & BONDING ADHESIVE MAY BE USED AS PARAPET FLASHING WITH NO STRIP-IN OF VERTICAL JOINTS REQUIRED WHEN THE SEAMS ARE ASSEMBLED WITH HOT AIR WELDS.



MAXIMUM WARRANTY: **20 Years**



**Peel & Stick TPO Flashing Vertical Joints**

GenFlex EZFlex Peel & Stick™ TPO Systems

ACCEPTABLE SYSTEMS:  
Self Adhered

ISSUE / REVISION  
DATE:  
10/19/2021

NOT TO SCALE

DETAIL NO.  
**EZ-S-3.03**