

SPECIFICATION 07541.4
GENFLEX PEEL & STICK TPO
(HW) & (SA) ROOF SYSTEMS

General	Page
1.01 Description.....	1
1.02 Quality Assurance.....	1
1.03 Submittals.....	1-2
1.04 Product Delivery, Storage, and Handling.....	2
1.05 Job Conditions (Cautions and Warnings).....	3-4
1.06 Warranty.....	4-5
1.07 Codes.....	6
1.08 Acceptable Roof Decks.....	7
1.09 Acceptable Roof System Substrates.....	8-9
1.10 Acceptable GenFlex Fasteners.....	9-10
1.11 Wood Nailers.....	11
Products	
2.01 General.....	11
2.02 Membrane.....	11
2.03 Related Materials.....	11-12
Installation	
3.01 Substrate Criteria.....	13
3.02 Substrate Preparation.....	13
3.03 Insulation Application.....	13
3.04 Insulation Securement.....	13-15
3.05 Membrane Application.....	15
3.06 Membrane Attachment.....	15-16
3.07 Seaming.....	16-18
3.08 Perimeter and Base Membrane Securement.....	18-19
3.09 Flashings.....	19-22
3.10 Walkways.....	22
3.11 Finished Roof Protection.....	22
System Specific Supplemental Details.....	23-32

SPECIFICATION 07541.4
GENFLEX PEEL & STICK TPO
(HW) & (SA) SYSTEM

PART 1 – GENERAL

1.01 DESCRIPTION

- A. **GenFlex Roofing Systems recommends the use of a design professional to assure correct roof design for the roofing project, to address any non-standard conditions on the project, and to ensure compliance with applicable building codes.**
- B. GenFlex specifications are designed to detail the minimum requirements to obtain a GenFlex warranty on a low slope (less than 3/12) roofing project. Projects over 3/12 slope will require enhancements that will affect installed cost. Contact GenFlex Technical for requirements. Your low slope roofing project may have additional requirements spelled out in the contract documents above and beyond the GenFlex requirements due to applicable building codes or design characteristics specified by the project designer.
- C. The GenFlex Roofing Systems Peel & Stick TPO Roof System is a fully adhered system, utilizing GenFlex Peel & Stick TPO (HW) or (SA) membrane adhered to a GenFlex approved insulation or substrate.
- D. One GenFlex Roofing Systems Licensed Contractor shall perform roof application and related work. A single firm is required so that there is undivided responsibility for the performance of the completed roofing system.
- E. Furnish and install the GenFlex Peel & Stick TPO Roof System in strict accordance with current GenFlex construction drawings and specifications. Refer to the GenFlex web site to review any applicable technical updates.
- F. Related Work
The work includes, but is not necessarily limited to, the installation of:
 - 1. Vapor Retarders (where required)
 - 2. GenFlex Insulation
 - 3. GenFast Bar Anchors
 - 4. GenFlex Separator Mat
 - 5. GenFast Fasteners
 - 6. GenFlex Roof Membrane
 - 7. GenFlex Flashing
 - 8. GenFlex Metal Flashing
 - 9. Wood Nailer
 - 10. GenFlex Walkway Pads
 - 11. GenFlex Approved Sealants
 - 12. GenFlex Adhesives
 - 13. GenFlex Metal Edging and Coping per ANSI / SPRI ES-1 (as required)
 - 14. All metalwork to be fastened per Sheet Metal & Air Conditioning Contractors National Association (SMACNA) standards.

1.02 QUALITY ASSURANCE

- A. The roofing system must be installed by a GenFlex Roofing Systems Licensed Contractor for the project to be eligible to receive a manufacturer's system warranty.
- B. There shall be no deviation made from this specification or the detail drawings without written approval from GenFlex Roofing Systems fourteen (14) days prior to the start of the roofing project.
- C. All completed work must be reviewed by the GenFlex Licensed Contractor for proper installation **prior** to requesting a final inspection.
- D. Upon request for final inspection from the GenFlex Licensed Contractor, an inspection shall be conducted by a Technical Representative of GenFlex Roofing Systems to ascertain that the roofing system has been installed according to GenFlex Roofing Systems current published specifications and details. This inspection is not intended to be a final inspection for the benefit of the owner. It is for the benefit of GenFlex Roofing Systems to determine whether a warranty can be issued.
- E. It is the roofing contractor's responsibility to adhere to all applicable local and national building codes for roofing system installation requirements and limitations in his/her geographical area.
- F. For specific code and testing agency approvals achieved by GenFlex Roofing Systems, refer to the agency's published listings or call the GenFlex Roofing Systems Technical Department.

1.03 SUBMITTALS

- A. When a material and workmanship or full system warranty is sought, submit a Pre-Job Survey Form to the GenFlex Roofing Systems Technical Department for approval **prior** to the job start. This enables the Technical Department to approve the intended assembly and assign a job number to the project. This submittal may include deviation request forms, moisture scans, or pullout test results, depending on the project criteria.

1. The Pre-Job Survey **must** be filled out completely and accurately to include any prior deviations approved from this specification.
 2. The Pre-Job Survey must have a roof drawing or shop drawing attached for the project to be assigned a job number. The roof drawing must show: a) the dimensions of the roof system being submitted for warranty coverage, b) the location of all curbs installed during initial application, c) the type and thickness of insulation used in each area, d) the penetration count by either plotting or listing the penetrations installed during the initial application broken down into the various categories, e.g. pipes, drains, pourable sealer pockets, etc. This information is required in order to protect both GenFlex Roofing Systems and the installing contractor from additional liability for alterations made to the roof system without GenFlex's knowledge or involvement. The Technical Department requests a separate roof drawing for each roof assembly type installed on a project. For example, a project consisting of an adhered and a ballasted system would require two separate roof plans. If the two different assemblies are on the same building, please indicate their proximity to each other on the roof plans for reference purposes.
- B. When material and workmanship or full systems warranties are desired, GenFlex Roofing Systems **must** receive the Pre-Job Survey or be contacted **prior** to project installation. Additional information may be required for the wind design of the system.
 - C. Upon completion of the project and **prior** to requesting a final inspection, the roofing contractor shall review all completed work to verify proper installation. The roofing contractor shall then notify GenFlex Roofing Systems of the date of completion, and request a final inspection.
 - D. Upon completion of the roof inspection by a technical representative of GenFlex, satisfactory completion of any punch list items, and notification to the GenFlex Technical Department that punch list items are complete, the warranty may be issued to the installing contractor.
 - E. GenFlex offers ten year membrane limited warranties for projects on which GenFlex brand membrane is installed in accordance with GenFlex Technical Specifications and construction details and maintained in accordance with the requirements listed on the warranty. These material only warranties are available at www.genflex.com. Material only warranties that exceed ten years in duration may only be obtained by GenFlex Licensed Contractors via the Pre-Job Survey submittal process.
 - F. GenFlex also offers a labor and material limited warranty. This warranty is available to GenFlex Registered or Licensed Contractors. To view a sample of this warranty, please visit www.genflex.com. This warranty may be obtained by submitting a Registered Applicator Project Notification form to the GenFlex Technical Department and remitting applicable warranty fees.

1.04 PRODUCT DELIVERY, STORAGE AND HANDLING

- A. Deliver materials in original, unopened containers.
- B. Containers shall be labeled with manufacturer's product name and general information.
- C. All materials, excluding the membrane, should be stored between 60 °F (16 °C) and 80 °F (27 °C). If materials are exposed to lower temperatures, restore material to 60 °F (16 °C) minimum temperature before using.
- D. Store all materials, including membrane, in a dry, protected area. Damaged materials must not be used. Installed materials found to be damaged shall be replaced at contractor's expense.
- E. Protect the membrane from abuse or damage during storage.
- F. Protect all stored materials from inclement weather by covering with properly secured breathable tarpaulins until ready to install.
- G. Improperly stored insulation that has been allowed to get wet shall not be used in a warranted roof system and shall be replaced at the contractor's expense. In cases where the wet insulation is isolated to only a few boards per bundle, only those boards that have been wet must be replaced. Failure to replace insulation boards that have been exposed to moisture can result in bowing or curling of the insulation because the material may dry unevenly while in the roof system. This may adversely affect the dimensional stability of the insulation material. In either case, the removal and replacement of the affected insulation shall be the responsibility of the installing contractor as a punch list item or under their two-year obligation if discovered after the initial inspection but within twenty-four (24) months beginning with the date GenFlex's limited warranty is issued to the building owner.
- H. Keep insulation tarped and protected from moisture until ready for installation. GenFlex Polyiso is wrapped with Tuff Wrap to ensure the integrity of the product during shipping and at work sites. Tarping is not required unless the wrap is damaged or opened. In that case, the Polyiso bundle(s) should be tarped. **Do not install more insulation than can be roofed over in the same workday.**

1.05 JOB CONDITIONS (CAUTIONS AND WARNINGS)

Note: Prior to the use of any GenFlex Roofing Systems product, consult Material Safety Data Sheets for applicable cautions and warnings.

- A. Do not use oil or bituminous base roof cement with GenFlex materials.
- B. Do not install GenFlex membrane directly in contact with new or resaturated asphalt.
- C. Do not expose membrane or accessories to temperatures of 180 °F (82 °C) or above.
- D. Do not allow waste products, such as petroleum grease, oil, or solvents, or direct steam venting to come in contact with the GenFlex roofing system. Any exposures not typical for normal roofing installation must be presented to GenFlex Roofing Systems for assessment of any impact on the performance of the roofing system.
- E. Do not install GenFlex membrane directly in contact with coal tar roof surfaces.
- F. When using an insulation / underlayment attachment method other than mechanical securement with GenFlex fasteners of an approved type, size and length, there may be additional factors to take into consideration. The primary issues to consider include:
 - 1. The products involved and the performance of asphalt attachment or insulation adhesive by others will not be included in the GenFlex system warranty coverage because they are products supplied by others. Separate warranty coverage may be available from the manufacturer of the product being used, but it is separate from the GenFlex warranty coverage and may be pursued by the installing contractor or property owner.
 - 2. For insulation / underlayment attachment methods other than loose laid for ballasted systems and mechanically anchored to GenFlex specification for adhered and mechanically attached systems, the maximum allowed board size is 4' x 4' (1.2 m x 1.2 m).
 - 3. When using insulation adhesive, verify that the approved substrate has not been altered by coatings, sealants, or additives. **Note:** Unless the GenFlex Technical Department provides written approval of specific products and / or applications prior to the start of a roofing project, alteration of the bonding substrate (e.g. application of primers and / or sealants, etc.) voids warranty coverage for the insulation attachment.
- G. Do not tear off more roof than can be covered the same workday.
- H. Do not install more roofing insulation than can be roofed over and sealed the same workday.
- I. Do not phase roofing installation. Complete all details daily, and install night seals as required to ensure the installed roofing components are protected from moisture.
- J. Perform daily quality control checks of installed seams and details, and correct any identified deficiencies each and every workday to prevent moisture from entering the roof system.
- K. Cold weather application of GenFlex adhesives and sealants requires special consideration. As specified in the Product Delivery, Storage and Handling section above, the GenFlex roofing adhesives, solvents, caulks and sealants must be stored at service temperatures ranging from 60 °F (16 °C) to 80 °F (27 °C) for 24 hours prior to use. Please note that the GenFlex water based bonding adhesives should never be stored in temperatures below 32 °F (0 °C) or allowed to freeze. Water based adhesives that have frozen should not be used and must be disposed of in a proper manner.
 - 1. If a room temperature storage environment is not available, the GenFlex products must be restored to serviceable temperatures before application by alternate means, such as hot boxes or pail warmers, and rotated as required to maintain a serviceable installation temperature throughout the application process.
 - 2. During periods of high humidity, especially at cooler temperatures, condensation may form on the surface of the adhesives and primer. This is referred to as "blushing." It occurs when the dew point is near the ambient outside temperature and is caused by the evaporation cooling process inherent in the flashing of solvents. Blushing is more prevalent on foggy or overcast days. When condensation is present, the application should be discontinued, since proper adhesion between mating surfaces cannot be achieved once the prepared surface is contaminated with moisture. If the applied product is contaminated with moisture, wait until conditions improve, and then allow the adhesive to dry completely prior to the application of an additional fresh coat of adhesive or primer when conditions no longer cause condensation on the surface of the adhesive or primer. During cold weather, work in smaller areas, allow longer flash-off times, and limit application of solvent-based adhesives and sealants to the warmest hours of the work period possible.
 - 3. Solvent-based adhesives tend to surface-flash during cold weather, forming an outer skin on the surface before the entire adhesive layer has had sufficient time to flash-off. To correct the application

condition when this occurs, allow the adhesive layer to flash-off properly. To determine if the applied adhesive has surface-flashed, conduct a “push” test of the prepared surface by touching the adhesive film with your finger (away from any seam edges), and push to see if your finger slides through any un-flashed adhesive. If a surface skin condition is identified, allow extra time for the adhesive film to properly flash-off before retesting. In extreme cases of surface-flashing, it may be necessary to allow the adhesive film to flash-off completely overnight and to start over when better working conditions exist. Adhering two surfaces that have suffered surface-flashing of the adhesive will result in blisters and bubbles in the membrane application, caused by the trapped solvent from the uncured adhesive.

4. **Under no circumstances should laying of membrane, or application of adhesives, primers, or caulks take place during periods of any form of precipitation.**
 5. Application temperatures for water based adhesives should meet the minimums required for the product. Please refer to current GenFlex Technical Specifications or individual Product Data Sheets for temperature restrictions.
- L. Cold weather application of GenFlex Peel & Stick TPO membranes requires special consideration.
1. GenFlex ISO must be primed with GenFlex Clear Primer applied at the rate of 200 ft²/gal when ambient temperatures are at or below 50 °F (10 °C) during application or when a fifteen (15) or twenty (20) year warranty is sought for a project. **All** other approved bondable surfaces must be primed with GenFlex Clear Primer at all times.
 2. Cold weather applications require extra attention to ambient conditions because fluctuations in temperature and wind can adversely affect the welding and adhesive seaming parameters.
 3. **For GenFlex Peel & Stick TPO (HW) Only** - During a cold weather application, it is important to reestablish welding parameters after every break in hot air welding, e.g. lunch, at the beginning of each workday, etc. Conduct a welding test on some scrap membrane, and set up the welding equipment correctly for the current conditions.

1.06 WARRANTY

GenFlex Roofing Systems offers several levels of warranty coverage on roofing systems installed using GenFlex brand products. Available coverage ranges from membrane only warranties to full system material and labor warranties. Full system warranties include coverage for **all** GenFlex brand materials used in a new roof assembly and the workmanship used to install the GenFlex products.

GenFlex offers ten year membrane limited warranties for projects on which GenFlex brand membrane is installed in accordance with GenFlex Technical Specifications and construction details and maintained in accordance with the requirements listed on the warranty. These material only warranties are available at www.genflex.com. Material only warranties that exceed ten years in duration may only be obtained by GenFlex Licensed Contractors.

GenFlex also offers a labor and material limited warranty. This warranty is available to GenFlex Registered or Licensed Contractors. To view a sample of this warranty, please visit www.genflex.com.

When a material and workmanship warranty is sought, the level of warranty coverage is indicated by the installing GenFlex Licensed Contractor on the Pre-Job Survey form submitted during the project registration process. The project registration information submitted by the contractor is then validated against the requirements for the type and length of warranty sought during the project review process before a job number is issued on a project. Listed below are some of those requirements for consideration. Additional system specific and warranty specific requirements apply and are subject to change at any time through the technical update bulletin notification process. Review the latest technical updates and our Warranty Requirement Reference Guide at www.genflex.com for the most current information.

Because each warranty type and term carries specific requirements, requests from the installing contractor and / or property owner to change the warranty type or term after installation may or may not be honored, depending on the actual installed roofing assembly and components.

- A. A project is eligible for warranty coverage by GenFlex Roofing Systems, including workmanship for those materials supplied by GenFlex Roofing Systems, when the project is completed according to the most current GenFlex specification by a GenFlex Roofing Systems Licensed Contractor.
- B. When a full system warranty or a warranty that exceeds ten years of coverage is specified for a project, a complete tear-off to the structural deck is required. On a deviation basis, subject to GenFlex review and acceptance, an independent moisture survey may be submitted instead of a tear-off. For a moisture survey

to be considered, the survey must have documented core cuts with findings fully specified. All wet insulation identified during the core cut process must be removed prior to reroofing and replaced with an acceptable new material. GenFlex's acceptance of the moisture survey does not indicate the insulation is suitable for recover, and GenFlex does not accept any liability for the performance of the existing insulation. Any existing insulation left in place and recovered is expressly excluded from warranty coverage and remains the responsibility of the building owner.

- C. Upon approved inspection of the completed installation by a GenFlex Roofing Systems Technical Representative and satisfactory completion of any punch list items, a warranty may be issued to the installing contractor.
 - D. The workmanship warranty is available for roofing systems installed on commercial, industrial, or institutional buildings only and is not available for single family residences, walking decks, terraces, patios or areas subjected to conditions not typically found on roofing systems. Please visit www.genflex.com to learn more about membrane limited warranties available for single family residences.
 - E. The warranty period is expressed on the warranty certificate, which reflects the inclusive dates of coverage.
 - F. GenFlex insulation and insulation adhesive or insulation plates and fasteners are required on all full system warranted projects and on projects with warranty terms greater than ten years.
 - G. If the metalwork on a project is specified by the designer to be included in a full system warranty, use GenFlex brand edge metal and coping products. Contact your GenFlex Territory Sales Manager or Representative for information.
 - H. If a metal flashing product by others is submitted via a deviation request for inclusion in the warranty coverage, the following are minimum requirements for consideration:
 - 1. The metalwork must be shop or factory formed or extruded.
 - 2. The metalwork must be configured and installed in accordance with SMACNA guidelines and NRCA installation instructions.
 - 3. Minimum requirements regarding metalwork material are, 24 ga (0.61 mm) G-90 Kynar pre-finished steel or 0.040" (1.02 mm) aluminum (mill finished, pre-finished or anodized).
 - 4. A deviation request for metalwork inclusion in warranty coverage must accompany the Pre-Job Survey Form submitted by the installing contractor.
 - 5. The deviation request must include shop drawings of the metalwork to be included and a roof plan showing the installed location and linear dimension for each profile.
 - 6. Should the deviation request be granted, the installing contractor will be responsible to GenFlex Roofing Systems for materials and installation labor performance for a period of two (2) years from the date of the approved final inspection by GenFlex under their installer's agreement.
- Note:** The approval of metalwork for inclusion in warranty coverage is conditional upon acceptance by GenFlex Roofing Systems, and, if approved, is subject to the "terms, conditions and limitations" of the requested warranty. Under no circumstance will any warranty coverage for metalwork exceed the wind speed limitation of the warranty issued for the roofing system. Aesthetic appearance is expressly excluded from warranty coverage. Metalwork by others is **not** permitted on projects warranted for wind speeds of 90 mph (144.8 km/h) or higher.
- I. Contact GenFlex Roofing Systems for additional warranty information. You may also consult the GenFlex Warranty Requirement Reference Guide.
 - J. When it is anticipated that GenFlex membranes will be exposed to animal fats, petroleum grease or other grease products, the owner or owner's representative is responsible for specifying that a sacrificial sheet, sand trap, or grease trap type containment product must be used to protect the waterproofing roof membrane.
 - K. It shall be the owner's responsibility to expose the membrane in the event that warranty service is required when access is impaired. Such impairment could include, but is not limited to:
 - 1. Design features, such as window washer systems, which require the installation of traffic surface units in excess of 80 lb (36.3 kg) per unit.
 - 2. Any equipment, ornamentation, building service units, or other rooftop surfacing materials which are not defined as part of the roofing system.
 - 3. Rooftop equipment that does not provide GenFlex with reasonable access to the membrane system for purposes of warranty investigation and related repairs.
 - 4. Standing water, snow, ice, or other materials unrelated to the roof system.
 - L. Warranty coverage is limited to the maximum wind speed indicated on the warranty document as measured 30' (9.1 m) above ground level and does not cover damage that results from failure of other building components, such as dislodged metalwork, wood nailers, rooftop units, or other materials not included in the GenFlex warranty coverage.

1.07 CODES

- A. GenFlex Roofing Systems has successfully tested its systems at UL and Factory Mutual testing facilities in order to qualify for specific codes and ratings used by designers in the specification of the various roofing systems.
- B. This testing is conducted in strict accordance with the industry recognized standardized testing procedures established and managed by each organization. The purpose of testing assemblies and materials is to evaluate performance capability for each individual component of the roofing system, as well as the performance of the combined assembly.
- C. Because codes and ratings are routinely updated and revised, it is important to consult with a GenFlex Regional Technical Manager, Territory Sales Manager or Sales Representative before quoting a project requiring compliance to a specific code rating. Please visit www.genflex.com for the most current published list of code ratings.
- D. It is the contractor's responsibility to ensure compliance with designer specified code requirements on a project. GenFlex Roofing Systems does not inspect for compliance to code required enhancements to roof systems.

1.08 ACCEPTABLE ROOF DECKS

GenFlex Roofing Systems has compiled a list of the most common deck types found in the construction field. GenFlex Roofing Systems strongly recommends that you review its requirements and restrictions **prior** to each roofing project. Refer to the following table.

TABLE 1.08

New Construction or Tear Off to Deck		
Deck Type	Conditions	Special Requirements (if any)
Steel Deck	22 gauge (0.76 mm) min.	24 - 28 ga (0.61 mm to 0.38 mm) requires submission of pullout test results to determine acceptability (less than 28 ga (0.38 mm) not acceptable).
Structural Concrete	3000 psi (20.7 MPa) min.	If using insulation adhesive to bond to the concrete, the concrete must not be sealed, coated or contain additives (e.g. curing accelerants) without approval from GenFlex.
Lumber	3/4" (19.1 mm) min.	Requires submission of pullout test results to determine acceptability. Refer to pullout test requirements in fastener table 1.10.
Plywood	15/32" (11.9 mm) min.	Must be APA approved material and be fastened with screws to the supporting structure. Requires submission of pullout test results to determine acceptability. Refer to pullout test requirements in fastener table 1.10.
OSB	7/16" (11.1 mm) min.	Must be APA approved material and be fastened with screws to the supporting structure. Requires submission of pullout test results to determine acceptability. Refer to pullout test requirements in fastener table 1.10.
Concrete Plank	2" (50.8 mm) min.	Use caution if drilling in concrete plank to avoid spalling. Requires submission of pullout test results to determine acceptability. Refer to pullout test requirements in fastener table 1.10.
Cementitious Wood Fiber	n/a	Requires submission of pullout test results to determine acceptability. Refer to pullout test requirements in fastener table 1.10.
Gypsum Deck	Poured in place or plank	Requires submission of pullout test results to determine acceptability. Refer to pullout test requirements in fastener table 1.10.
Lightweight Concrete	200 psi (1.4 MPa) min.	Requires submission of pullout test results to determine acceptability. Refer to pullout test requirements in fastener table 1.10. When used as a substrate for an adhered or mechanically attached system, securement must be made through the lightweight concrete and into the structural deck.

1.09 ACCEPTABLE ROOF SYSTEM SUBSTRATES

An acceptable substrate will provide a smooth surface capable of fully supporting a GenFlex roof assembly and anticipated roof loads. When used to support an adhered roof system, with either mechanically attached or bonded insulation to the deck, the acceptable insulation substrate must also possess sufficient structural integrity to secure the roofing membrane to the structure when the membrane is bonded to it. Thermal value to the roof assembly, when applicable, must also be considered when choosing an insulation substrate. When insulation is used as a roof substrate, the insulation must be capable of being supported by the structural deck. For example, a typical steel deck would not support 1/2" wood fiber alone but would support an isocyanurate insulation board with a 1/2" wood fiber overlay. A suitable substrate can be an existing roof surface, a structural deck or insulation as detailed in the following table.

TABLE 1.09A

IMMEDIATE SUBSTRATE TYPES	
Immediate Substrate Type	Conditions for Use as an Immediate Roof System Substrate
Plywood, OSB or Wood Plank Decks	GenFlex Peel & Stick TPO roof systems may be installed directly over a primed plywood or OSB deck, provided the substrate is free of contamination, sharp edges, and protrusions (See section 3.05 Primer Application Requirements). Where plywood is used as a direct substrate, the plywood should be attached to the structural support with screw-type fasteners, instead of nailing, to prevent damage caused by fastener back-out as the structure moves due to expansion / contraction and settling. Wood plank decks require an approved minimum thickness insulation board. The bondable substrate, whether plywood or minimum thickness insulation, must have any voids greater than 1/4" (6.35 mm) between panels filled with a suitable material to provide a smooth, bondable surface. Damage caused by building movement is excluded from warranty coverage. Pullout tests are required on OSB decks when attachment of insulation and/or membrane is achieved with mechanical securement.
Steel Deck (22 Gauge (0.76 mm) min.)	An approved minimum thickness insulation board must be used. Insulation shall be mechanically fastened with appropriate fasteners and plates. Contact GenFlex for alternative methods to attach insulation to metal decks.
Structural Concrete or Concrete Plank	GenFlex Peel & Stick TPO roof systems may be installed directly over a primed structural concrete or concrete plank decks (See section 3.05 Primer Application Requirements). Insulation can be mechanically fastened with appropriate fasteners and plates or fastened using approved alternative methods. GenFlex insulation adhesive is approved for insulation securement, provided the deck has not been altered by coatings, sealants, or curing accelerants. Asphalt attachment is accepted in some cases for insulation securement but is not covered by the GenFlex warranty.
Lightweight Concrete, Cementitious Wood Fiber or Gypsum	Lightweight concrete, cementitious wood fiber, and gypsum decks must be overlaid with a minimum thickness layer of approved insulation secured directly into the lightweight deck, provided acceptable pullout values are achieved with a GenFast GypTec fastener and insulation plate. Alternative methods of insulation securement include securing the insulation through the lightweight concrete directly to the structural deck or installing a mechanically attached base sheet and mopping-in the insulation. Insulation may also be attached to cementitious wood fiber decks with GenFlex insulation adhesive.
Existing Gravel Surface BUR and Coal Tar Pitch	All loose gravel must be removed or leveled to ensure a relatively flat substrate. An approved minimum thickness insulation board is required and must comply with system requirements for the roof assembly being installed.
Smooth Surface BUR or APP/SBS Modified Bitumen Roof System	For all systems, the existing smooth surface BUR or modified bitumen must be overlaid with a minimum thickness of approved insulation acceptable for use with the system being installed and secured in accordance with the GenFlex published fastening requirements for any given insulation type. As an exception, a separator sheet or Fleece Backed TPO System may be installed instead of a minimum thickness approved insulation board. Please consult the GenFlex Technical Department regarding suitability of using a separator sheet or Fleece Backed membrane instead of insulation.
Existing Single-Ply Membrane Roofs – All Types	In reroof situations that involve leaving the existing single-ply membrane in place, the existing membrane must be cut into 10' x 10' (3.0 m x 3.0 m) pieces and overlaid with an acceptable rigid insulation board to isolate the new GenFlex single-ply roof system from the original roof membrane. The rigid board type and mechanical securement of the insulation must comply with the securement requirements of the new roof system being installed.

TABLE 1.09B

Acceptable Insulations		
Insulation Type	Manufacturer Names	Minimum Thickness for Use on Fully Adhered Systems
Isocyanurate	GenFlex Roofing Systems^A	1" (25.4 mm)
1/2" HD ISO	GenFlex Roofing Systems^A	1/2" (12.7 mm) min.
Wood Fiber	GenFlex Roofing Systems^A	1/2" (12.7 mm) min.
Expanded Polystyrene	ACH Foam Technologies	n/a
Extruded Polystyrene	Dow Chemical, Owens Corning	n/a
FanFold	ACH Foam Technologies, Dow Chemical, Owens Corning	n/a
Gypsum Board	<i>Georgia Pacific (DensDeck)^B</i>	1/4" (6.35 mm)
<p>NOTES:</p> <ol style="list-style-type: none"> Insulation thickness must be minimum thickness required by manufacturer to span openings in the deck. In some cases, it may be necessary to use a support layer of insulation. Except ballast, expanded and extruded polystyrene insulation must be 1.25 lb minimum density and be overlaid with acceptable cover board. Contact GenFlex for other options with expanded and extruded polystyrene insulations. ^AProducts in bold are covered by the GenFlex warranty when installed in a warranted system. ^B<i>Products in bold italic are covered by the GenFlex warranty when purchased through GenFlex Roofing Systems.</i> 		

1.10 ACCEPTABLE GENFLEX FASTENERS

- A. Warranted GenFlex roof systems must be assembled using GenFast fasteners of appropriate type and length installed at the rate specified in the insulation attachment, and if applicable, the membrane attachment portion of the Installation Section of this specification. The application rate of fasteners specified in the sections mentioned above is based on an approved deck providing 300 lb (1 334.5 N) minimum pullout resistance. For projects with decks requiring pullout testing, a completed pullout test result form is required with the Pre-Job Survey Form in order to register the project with GenFlex.
- B. Minimum fastener penetration requirements into the roof deck are shown on the product data sheet for each fastener type. However, typical fastener penetration requirements are as follows:
 1. Steel, wood plank, plywood, OSB, and concrete decks require 1" (25.4 mm) minimum fastener penetration.
 2. Gypsum and cementitious wood fiber decks require 1.5" to 2" (25.4 to 38.1 mm) minimum fastener penetration as determined by pullout tests.
 3. For deck types other than those listed above, please contact the GenFlex Technical Department.

TABLE 1.10

GenFlex Fastener Application Guide														
GenFlex Fastener Type	Approved Accessories	Insulation Attachment	Membrane Attachment	Deck Types										
GenFast #12 Fastener	1	Yes	No	Steel, Wood										
GenFast #14 Fastener	1,4,5,6	Yes	Yes	Steel, Wood										
GenFast #15 (WH) Fastener	1,5,7	Yes	Yes	Steel, Wood, Concrete										
GenFast #16 MAX Fastener	7,10	No	Yes	Steel										
GenFast #12 Preassembled Fastener & Plate	N/A	Yes	No	Steel, Wood										
GenFast #15 Preassembled Fastener & Plate	N/A	Yes	Yes	Steel, Wood, Concrete										
GenFast CD-10 Concrete Fastener	1,4,5,6	Yes	Yes	Concrete										
GenFast Lite-Deck Fastener	2,8	Yes	Yes	Gypsum, Cementitious Wood Fiber										
GenFast Purlin Fastener	5,6	No	Yes	Steel Purlins										
GenFast GypTec Fastener	3,9	Yes	Yes	Gypsum, Cementitious Wood Fiber										
Insulation Plate Options:		1) GenFast Insulation Plate 3) GenFast GypTec Insulation Plate												
Membrane Securement Options:		2) GenFast Lite-Deck Plate 4) GenFast 2" Seam Plate 6) GenFast Bar Anchor 8) GenFast Lite-Deck Bar 10) GenFast 3" MAX Seam Plate												
		5) GenFast (WH) 2 3/8" Seam Plate 7) GenFast Polymer Batten Strip 9) GenFast GypTec Seam Plate												
<p>This is only a partial representation of GenFlex Roofing Systems codes. Please contact the GenFlex Technical Department if you have any code related questions regarding assemblies not referenced.</p>														
<p>NOTE: GenFlex fasteners are required on all full system warranties.</p> <ol style="list-style-type: none"> 1. GenFlex fasteners are corrosion resistant coated and comply with Factory Mutual Standard 4470. 2. Insulation fasteners shall be suitable for the insulation used. 3. All screw type fasteners shall be a minimum #14 shank diameter for membrane securement. 4. No hex head fasteners are permitted for insulation or membrane securement in GenFlex warranted systems. 														
<p>GenFlex Roofing Systems requires a pullout test to be conducted by an independent agency on the following types of decks: gypsum, cementitious wood fiber, oriented strand board, lightweight concrete, concrete plank, and any metal decks lighter than 22 gauge (0.76 mm). The results must be submitted to the GenFlex Technical Department prior to project bid. Fully adhered applications on decks providing less than the required 300 lb (1 334.5 N) of pullout resistance may still qualify for warranty coverage, provided the insulation is secured in accordance with the supplemental securement table on the following page and approved by the GenFlex Technical Department.</p>														
		<table border="0"> <tr> <td style="text-align: center;"><u>Roof Size</u></td> <td style="text-align: center;"><u>Pullout Test Requirements</u></td> </tr> <tr> <td>Less than 10,000 ft² (929.0 m²)</td> <td>6</td> </tr> <tr> <td>10,000 ft² - 50,000 ft² (929.0 m² - 4 645.2 m²)</td> <td>10</td> </tr> <tr> <td>50,000 ft² - 100,000 ft² (4 645.2 m² - 9 290.3 m²)</td> <td>20</td> </tr> <tr> <td>Over 100,000 ft² (9 290.3 m²)</td> <td>1 per 5,000 ft² (464.5 m²)</td> </tr> </table>			<u>Roof Size</u>	<u>Pullout Test Requirements</u>	Less than 10,000 ft ² (929.0 m ²)	6	10,000 ft ² - 50,000 ft ² (929.0 m ² - 4 645.2 m ²)	10	50,000 ft ² - 100,000 ft ² (4 645.2 m ² - 9 290.3 m ²)	20	Over 100,000 ft ² (9 290.3 m ²)	1 per 5,000 ft ² (464.5 m ²)
<u>Roof Size</u>	<u>Pullout Test Requirements</u>													
Less than 10,000 ft ² (929.0 m ²)	6													
10,000 ft ² - 50,000 ft ² (929.0 m ² - 4 645.2 m ²)	10													
50,000 ft ² - 100,000 ft ² (4 645.2 m ² - 9 290.3 m ²)	20													
Over 100,000 ft ² (9 290.3 m ²)	1 per 5,000 ft ² (464.5 m ²)													
<p>CAUTION: Use appropriate fastener for substrate.</p>														

1.11 WOOD NAILERS

Wood nailers provide a termination point for roofing insulation as well as a securement point to tie the roof system into the building shell. Wood nailers are not covered by the GenFlex warranty because they are a product by others and considered part of the building structure. Following are GenFlex’s requirements for wood nailers:

- A. Wood nailers are required at all roof edges where metalwork, drip edges or gutter systems are specified. The width of the nailer must exceed the width of the flange of any metalwork mounted to it and be of equal thickness to the roof insulation in order to protect the edge of the insulation and provide a substrate to which the metalwork can be anchored, without impeding drainage. Wood nailers are also required under any rooftop curbs that are not mounted directly to the structural deck with the same width and thickness requirements stated above.
- B. Wood Nailers must be #2 Grade or better lumber. Wood treated with preservatives containing creosote, asphalt, pentachlorophenol, copper naphthenate, copper 8-quinolinolate, and alkaline copper quaternaries (ACQ) have an adverse effect on single-ply roofing membranes and are not acceptable for use in a GenFlex roofing system.
- C. In all cases, the wood nailer must be anchored to the deck in an industry accepted method to the designing architect’s specification. As a minimum standard, the wood nailers must be anchored sufficiently to resist 200 lb (889.6 N) of force per linear foot in any direction with fasteners spaced not more than 24” (609.6 mm) apart. Refer to the Perimeter Flashing portion of Factory Loss Prevention Data 1-49 (June 1985) for nailer securement recommendations. Wood nailers are not part of the GenFlex roofing system and are not covered by the GenFlex warranty.

PART 2 – PRODUCTS

2.01 GENERAL

- A. The components of the GenFlex Peel & Stick TPO Roofing System are to be products of GenFlex Roofing Systems or approved by GenFlex Roofing Systems as compatible and acceptable. Unless specifically included in the warranty coverage by GenFlex Roofing Systems, products by others are excluded from coverage.

2.02 MEMBRANE

- A. GenFlex Peel & Stick TPO Membranes are available in a variety of membrane thickness and sheet width combinations that are illustrated in the following table. Not all sheet widths shown are stock items. Consult your GenFlex Customer Service Representative regarding lead time for nonstock sheet length / width combinations.

GenFlex Peel & Stick TPO Membrane			
Membrane Type	Thickness	Widths	Lengths
Peel & Stick TPO (HW)	45 mil (1.14 mm)	6.25’ (1.9 m), 10’ (3.0 m)	100’ (30.5 m) Standard
Peel & Stick TPO (HW)	60 mil (1.52 mm)	6.25’ (1.9 m), 10’ (3.0 m)	100’ (30.5 m) Standard
Peel & Stick TPO (SA)	45 mil (1.14 mm)	6.25’ (1.9 m)	100’ (30.5 m) Standard, 50’ (15.2 m) Available
Peel & Stick TPO (SA)	60 mil (1.52 mm)	6.25’ (1.9 m)	100’ (30.5 m) Standard
Consult your GenFlex Customer Service Representative for availability and lead time for Peel & Stick TPO Membrane.			

2.03 RELATED MATERIALS

The following list contains the names of other GenFlex products and accessories that may be required in order to complete the roofing system. With the exception of walkway pads, which are considered maintenance items, GenFlex manufactured or supplied material is covered in the limited warranty, provided a warranty is purchased for the project.

Note: Prolonged exposure of adhesives and sealants to temperatures greater than 80 °F (27 °C) will reduce their shelf life. Shelf life is indicated on the product label or in the product information data for the particular product item, which can be found at www.genflex.com.

TPO

A. TPO Non-Reinforced Flashing	24" x 50' (609.6 mm x 15.2 m)
B. TPO Inside/Outside Corner	1 size / 10 per ctn
C. TPO Reinforced Outside Corner	12" x 12" (304.8 x 304.8 mm) / 10 per ctn
D. TPO Molded Pipe Boot	1" to 6" (25.4 to 152.4 mm) / 10 per ctn
E. TPO Pipe Boot - Small	1" to 3" (25.4 x 76.2 mm) / 10 per ctn
F. TPO Pipe Boot - Large	3" to 6" (76.2 x 152.4 mm) / 10 per ctn
G. TPO T-Joint Cover	4.5" (114.3 mm) diameter / 100 per ctn
H. GenPocket T	6" (152.4 mm) diameter / 6 per ctn
I. TPO Heat Weldable Walkway Pad	30" x 50' (762.0 mm x 15.2 m) / 1 roll
J. TPO Coated Metal	4' x 10' (1.2 x 3.0 m) / 10 sheets per pallet
K. Peel & Stick TPO RPS (Reinforced Perimeter Strip)	6" x 100' (152.4 mm x 30.5 m) / 2 rolls per ctn
L. Peel & Stick TPO RMA (Roof Membrane Attachment Strip)	10" x 100' (254.0 mm x 30.5 m) / 1 roll per ctn
M. TPO Seam Tape	3" x 50' (76.2 mm x 15.2 m) / 4 rolls per ctn / 3" x 100' (76.2 mm x 30.5 m) / 1 roll per box, 6 box per ctn
N. Clear Primer	3 gal (11.4 L) or 1 qt. (0.9 L) can
O. Clear Primer LVOC	1 gal (3.8 L) / 4 pails per ctn or 3 gal (11.4 L) pail
P. Substrate Primer	1 gal (3.8 L) / 4 pails per ctn
Q. TPO Cover Tape	5.5" x 25' (139.7 mm x 7.6 m) / 1 roll per box, 4 box per ctn
R. Peel & Stick TPO Pipe Boot	1" to 6" (25.4 to 152.4 mm) / 8 per ctn
S. Scrub Pad & Handle	3" x 5" (76.2 x 127.0 mm) / 30 pads & 4 handles per ctn
T. TPO Bonding Adhesive	5 gal (18.9 L) pail
U. TPO Bonding Adhesive LVOC	5 gal (18.9 L) pail
V. FB Bonding Adhesive (LVOC)	5 gal (18.9 L) pail
W. TPO Edge Sealant	16 fl oz (532.3 mL) / 12 bottles per ctn
X. TPO Edge Caulk LVOC	11 fl oz (325.3 mL) / 12 tubes per ctn

UNIVERSAL ACCESSORIES

Insulation	Polyiso (flat or tapered), 1/2" HD ISO, Wood Fiber
GenFast Fastener	#12, #14, #15 (WH), #16 MAX, CD-10, Purlin, Lite-Deck, GypTec / quantity per ctn varies
GenFast Insulation Plate	3" Round, Lite-Deck, GypTec / quantity per ctn varies
GenFast Seam Plate	2", 2 3/8" (WH), 3" MAX, GypTec, RF, AS / quantity per ctn varies
GenFast Bar Anchor	1" x 10' (25.4 mm x 3.0 m) / 50 per tube
GenFast Polymer Batten Strip	1" x 250' (25.4 mm x 76.2 m)
GenFast Lite-Deck Bar	1" x 10' (25.4 mm x 3.0 m) / 500' (152.4 m) per tube
GenFast Preassembled Fastener & Plate Cleaner	#12, #15 / quantity per ctn varies 5 gal (18.9 L) pails
One Step Insulation Adhesive	200 ft ² (18.6 m ²) per ctn for 4" (101.6 mm) o.c. bead 300 ft ² (27.9 m ²) per ctn for 6" (152.4 mm) o.c. bead 600 ft ² (55.7 m ²) per ctn for 12" (304.8 mm) o.c. bead
All Purpose Bonding Adhesive	45 to 60 ft ² /gal (1.1 to 1.5 m ² /L) of finished surface
All Purpose Water Based Bonding Adhesive	120 ft ² /gal (2.9 m ² /L) / 1, 3.5 or 5 gallon pail (3.8, 13.2 or 18.9 L)
Pourable Sealer (A & B)	1 ft ² /gal at 2" thick (0.02 m ² /L at 50.8 mm thick)
Water Stop	15 lf (4.6 m) per tube / 12 tubes per ctn
Termination Caulk	24 lf (7.3 m) per tube / 12 tubes per ctn
GenFast Termination Bar	1.25" x 10' (31.8 mm x 3.0 m) / 50 per ctn
GenFast Zinc Masonry Anchor	1 1/4" (31.8 mm) / 1000 per ctn
Separator Mat	4.5 oz nominal per yd ² (152.6 g per nominal m ²) 15' x 320' (4.6 m x 97.5 m)

CONSULT THE PRODUCT DATA SHEETS AVAILABLE ONLINE AT WWW.GENFLEX.COM FOR ADDITIONAL PRODUCT INFORMATION.

PART 3 – INSTALLATION

3.01 SUBSTRATE CRITERIA

- A. The building owner or owner's representative is responsible for providing and determining that the substrate is suitable to receive the GenFlex Peel & Stick TPO Roofing System. The GenFlex Licensed Contractor should not proceed until any and all defects have been corrected. If possible, begin roof installation at the high point of the roof, and work toward the lowest point.

3.02 SUBSTRATE PREPARATION

- A. In a reroofing application, the building owner or owner's representative is responsible for making sure that all wet insulation and/or wet substrate has been removed and replaced. The best diagnostic technique to determine this is to take a series of roof core cuts and analyze them for moisture content and degradation. Two other techniques are currently available and make this determination by indirect means: nuclear moisture detection and infrared thermography. These techniques provide measurements of factors that can be associated with the presence of moisture.
- B. A positive slope is recommended to provide adequate drainage. The National Roofing Contractors Association Manual recommends that there should be no ponding water on the roofing system forty-eight (48) hours after it has stopped raining. Positive drainage is a design feature and should be addressed in the planning stage of the project. Under no circumstances is GenFlex Roofing Systems responsible for ponding water as GenFlex is not party to the structural design of the building.
- C. Any existing sprayed-in-place urethane foam roofs must be removed down to the structural deck prior to the installation of a GenFlex roofing system.
- D. Sweep the area of roof being covered to remove any loose dirt and debris.
- E. If GenFlex One Step Insulation Adhesive is being used to secure the insulation to the substrate, fresh asphalt surfaces and contaminated substrates need to be pre-treated with a surface treatment or primer. Please contact GenFlex Roofing Systems Technical Service for additional product information.

3.03 INSULATION APPLICATION

- A. Identify the area of roof being addressed in the workday, and lay out insulation with edges resting on the upper deck flute for metal decks and flat on supporting substrate for other types of decks.
- B. Stagger all insulation joints the maximum amount possible and lay out with all joints tightly butted. Any gaps greater than 1/4" (6.4 mm) wide must be filled with matching insulation material.
- C. When installing insulation greater than 2 1/2" (63.5 mm) thick, use multiple layers to maximize insulation thermal efficiency.
- D. When using multiple layers of insulation on a project, install each subsequent layer with the long axis running perpendicular to the layer below it and with all joints staggered and tightly butted.
- E. Fit insulation tightly to roof penetrations, wood nailers, transitional walls and parapets with any gaps greater than 1/4" (6.4 mm) filled with like material prior to membrane application.

3.04 INSULATION SECUREMENT

- A. Insulation attachment defined below is based on 300 lb (1 334.5 N) pullout resistance or greater. For pullout values less than 300 lb (1 334.5 N) per fastener, refer to the following table titled "Supplemental Securement Table".

Note: In the event the insulation is installed over an air barrier, the insulation securement must be in accordance with FM I-90 criteria for GenFlex fully adhered roof systems.

 1. All insulation must be mechanically attached to the approved structural deck using GenFlex fasteners of appropriate type and length and insulation plates installed at the rate of one fastener and plate per 2 ft² (0.2 m²), or 16 fastener assemblies per 4' x 8' (1.2 m x 2.4 m) board for 22 ga (0.76 mm) steel decks or structural concrete. Other decks require pull testing and may require additional securement. Fasten all insulation per detail drawing T-41.05. When installing insulation thicker than 1.5" (38.1 mm), a reduced fastening pattern may be applicable. Refer to the table, "Insulation Attachment Rates for Fully Adhered Systems," in the GenFlex Roofing Systems standard TPO details, or contact the GenFlex Technical Department.

TABLE 3.04

Supplemental Securement Table for Use on Fully Adhered Projects with Fastener Pullout Values Less Than 300 lb (1 334.5 N) Pullout Resistance	
Minimum Average Pullout Value per Fastener	Fastener & Plate Assembly Spacing per 4' x 8' (1.2 x 2.4 m) bd.
300 lb or greater (1 334.5 N or greater)	1 every 2 ft ² (0.19 m ²) (16 per bd.)*
250 to 299 lb (1 112.1 to 1 330.0 N)	1 every 1.8 ft ² (0.17 m ²) (18 per bd.)
225 to 249 lb (1 000.9 N to 1 107.6 N)	1 every 1.3 ft ² (0.12 m ²) (24 per bd.)
175 to 224 lb (778.4 N to 996.4 N)	1 every 1.1 ft ² (0.10 m ²) (28 per bd.)
150 to 174 lb (667.2 N to 774.0 N)	1 every 1.0 ft ² (0.09 m ²) (32 per bd.)

* This value may be reduced by 50% when the top layer of GenFlex insulation is a min. 2" (50.8 mm) or greater in thickness.

Note: For fully adhered applications, the top layer of insulation shall not exceed 2.5" (63.5 mm). This table is **not** appropriate for extended wind speed warranties. Submit actual pullout test results to the GenFlex Technical Department for evaluation, and provide a roof drawing indicating the location and value of each pullout test result. The number of pullout tests required are as follows:

- A. Less than 10,000 ft² (929.0 m²) - 6 pullout tests
- B. 10,000 ft² to 50,000 ft² (929.0 m² to 4 645.2 m²) - 10 pullout tests
- C. 50,000 ft² to 100,000 ft² (4 645.2 m² to 9 290.3 m²) - 20 pullout tests
- D. 100,000 ft² (9 290.3 m²) and over - 1 pullout test per 5,000 ft² (464.5 m²)

Pullout tests are required on any steel metal deck under 22 ga (0.76 mm) thickness.

Caution: Alternative methods to successfully secure insulation to a roof deck or an existing roof surface rely heavily on proper condition and preparation of the intended substrate.

B. ALTERNATE INSULATION SECUREMENT METHOD - GENFLEX ONE STEP INSULATION ADHESIVE

Note: Insulation adhesive is permitted only on applications where the acceptable roof deck has not been altered with coatings, sealants, or additives that may affect the bond between the acceptable substrate and insulation. Refer to the One Step Insulation Adhesive Product Data Sheet to determine if the structural deck to which the insulation is being bonded is approved or if special requirements apply. GenFlex One Step Insulation Adhesive may also be used between layers of acceptable insulation.

1. Sweep and power-blow the substrate clean of any dust, dirt, and loose debris, and make sure any moisture is allowed to dry prior to insulation application. Depending on the construction site, this step may have to be repeated periodically throughout the workday due to blowing dirt and debris. **Do not apply GenFlex One Step Insulation Adhesive over dirt or debris.**
2. Fresh asphalt surfaces and contaminated substrates need to be pre-treated with a surface treatment or primer. Please contact GenFlex Roofing Systems Technical Service for additional product information.
3. Using one of the four One Step Insulation Adhesive Applicator models, apply the GenFlex One Step Insulation Adhesive to the substrate at the coverage rate of 200 to 600 ft² of coverage per 4 pack ctn of 1.6 qt cartridges (18.6 to 55.7 m² per 4 pack carton of 1 500 mL cartridges). Coverage rate will depend on spacing of insulation adhesive beads. Refer to the GenFlex One Step Insulation Adhesive Product Data Sheet for additional information. The insulation should be laid in a fresh bead of adhesive before the bead(s) begins to skin.
4. Any unused insulation adhesive may be used at a later time by simply replacing the cartridge mixing applicator nozzle.
5. Using 4' x 4' (1.2 m x 1.2 m) maximum insulation boards, lay out insulation with all joints tightly butted and any gaps greater than 1/4" (6.4 mm) filled with like material. Stagger joints between rows and layers the maximum amount possible to enhance thermal efficiency.
6. Once the boards are laid into the freshly applied insulation adhesive, apply pressure by walking on the boards or by placing a sufficient weight on the board to be certain of adequate contact between the insulation and the adhesive.
7. Repeat the process as applicable to apply subsequent layers of insulation. Priming is not required between layers of approved insulation.

C. ALTERNATE INSULATION ATTACHMENT METHOD III (Asphalt Attachment)

Roofing asphalt is neither supplied nor specified by GenFlex, and the performance of asphalt used to attach roof insulation is not included in the GenFlex warranty coverage. In the event the project designer selects this method of attachment, the following requirements must be met:

1. The proposed insulation shall be compatible with the roof substrate, the proposed type of asphalt, and the requirements of the GenFlex Fully Adhered System.
2. Steep asphalt ASTM D 312 Type III or IV shall be utilized.
3. Insulation shall not be attached with asphalt directly to a steel deck.
4. Expanded or extruded polystyrene insulation shall not be attached with asphalt.
5. Maximum board size allowed is 4' x 4' (1.22 m x 1.22 m).
6. If the insulation assembly consists of the first layer being mechanically fastened and the second layer being hot asphalt attached, the fastening rate of the first layer shall be per GenFlex requirements for the particular insulation.

Note: The above requirements are not inclusive. Additional requirements in accordance with current industry standards are necessary. The GenFlex Roofing System Warranty does not cover the attachment of the insulation when it is secured with hot asphalt.

3.05 MEMBRANE APPLICATION

A. Membrane

1. Position the GenFlex TPO membrane over the approved substrate without stretching.
2. Allow the membrane to relax a minimum of one-half (1/2) hour prior to any seaming or flashing.
- 3_a. Peel & Stick TPO (HW) Membranes with Hot Air Welded Seam - Position all adjoining sheets in a manner that all sheets overlap a minimum of 2 1/2" (63.5 mm).
- 3_b. Peel & Stick TPO (HW) Membranes with Taped Seams - Position all adjoining sheets in a manner that all sheets overlap a minimum of 3" (76.2 mm), and so that the seams shed or run parallel to the flow of water.
- 3_c. Peel & Stick TPO (SA) Membrane - Position the membrane over any adjacent Peel & Stick panels to achieve a minimum of 4" (101.6 mm) wide side laps and 6" (152.4 mm) end laps. Seams should shed or run parallel to the flow of water.
4. In order to cover runs greater than 100' (30.5 m), Peel & Stick TPO sheets may be spliced together using an end lap. Overlap the sheet ends 6" (152.4 mm). See Section 3.07 for seaming instructions.

3.06 MEMBRANE ATTACHMENT

A. Adhering Peel & Stick TPO (HW) or (SA) Membrane

1. Primer Application Requirements
 - a. When applying Peel & Stick Membrane **over GenFlex Polyiso**: When the ambient temperature is 50° F (10 °C) or below during application, prime the GenFlex Polyiso with GenFlex Clear Primer, roller applied to the substrate with a medium nap roller at the application rate of 200 ft²/gal (4.91 m²/L) and allow to dry prior to membrane application.
 - b. For ambient temperatures **above 50 °F (10 °C)**, GenFlex Clear Primer is **not** required on GenFlex Polyiso at deck slopes less than 3"/12".
 - c. GenFlex Polyiso must be primed, however, for applications requiring installation of the Peel & Stick Membrane on roof slopes greater than 3"/12", when used in vertical flashing configurations, and when a warranty exceeding ten (10) years is requested.
 - d. **Non-GenFlex ISO** and all other approved insulations and bonding substrates must be primed with GenFlex Clear Primer at all times regardless of ambient temperature, slope, or warranty length. Masonry, concrete, and other irregular or porous surfaced substrates also require priming with GenFlex Clear Primer roller applied to the substrate with a medium nap roller at the application rate of 200 ft²/gal (4.9 m²/L) and allowed to dry.

Note: Some porous surfaces may require a second primer application to achieve a suitable bonding substrate. The installing contractor should identify the most adverse area of substrate and perform a bonding test to determine if a single primer coat is sufficient to seal the surface for the Peel & Stick TPO membrane application.
2. After priming the substrate as required and positioning membrane panels, fold the first half of the membrane with the seam layout marks back onto itself without creasing, and expose the release liner while maintaining alignment over the adjacent panel.

3. Remove the release liner by pulling at a 45 degree angle, exposing the pre-applied adhesive.
4. Roll or mate the membrane into the substrate starting in the middle of the panel working out to both edges to minimize wrinkling of the panel.
5. Repeat steps 3 and 4 on the second half of the membrane. Make sure that the release liner remains in place over the seam area during this step when installing Peel & Stick TPO (SA) product.
6. **To achieve a preliminary bond**, use a stiff bristle broom and positive downward pressure to broom in the installed Peel & Stick membrane. Brooming direction should be across the short axis of the sheet to avoid creating wrinkles in the sheet.
7. After the Peel & Stick TPO membrane is bonded to the substrate using broom pressure to mate the surfaces together, roll the installed Peel & Stick TPO membrane panel with a weighted roller (linoleum roller or similar device that achieves 5 lb per linear inch of pressure). Roll the membrane across the short axis of the panel to bond the membrane to the substrate while carefully avoiding wrinkles in the panel. **All Peel & Stick TPO Membrane must be rolled with a weighted roller to achieve a final bond to the substrate.**
8. For subsequent panels, unroll the membrane and allow to relax at least thirty (30) minutes. Position the top membrane to overlap the bottom membrane by 3" (76.2 mm) for Peel & Stick TPO (HW) membrane or by 4" (101.6 mm) for Peel & Stick TPO (SA) membrane. End laps are to be at least 6" (152.4 mm) wide. Following good roofing practice, make sure the lap is shingled in the direction of the flow of water.
9. Repeat steps 2 through 7.
10. If the seam area has become contaminated with dirt or debris, etc., use a clean rag with GenFlex Cleaner to clean the exposed membrane in the seaming area and at least 2" (50.8 mm) beyond on both sheets for Peel & Stick TPO (HW) product or just the bottom sheet for Peel & Stick TPO (SA) product. Change rags frequently to avoid depositing previously removed materials. Allow cleaner to dry completely.

3.07 SEAMING

Note: It is very important that both surfaces are clean and no moisture is present on the splicing surfaces.

A. Seaming for Peel & Stick TPO (HW) ONLY (Hot Air Welding Method)

1. Position the top membrane to overlap the bottom membrane by 2 1/2" (63.5 mm).
2. Using an approved automatic heat welding machine or hand held heat gun and 2" (50.8 mm) wide silicone or rubber roller, continuously weld a minimum 1 1/2" (38.1 mm) wide seam. GenFlex recommends that only approved automatic walker welders be used to weld all field seams. See Hot Air Welder Specifications.
3. Seam inspection and scrim sealing.
 - a. All welded seams must be checked manually for voids or seal deficiencies by probing the entire seam area with a dull cotter key extractor after the seam has cooled. In addition, there must be destructive testing performed at the beginning of each workday and every time there is an interruption in the welding process, e.g. power failure, welder shut down, change in job site conditions, or after lunch.
 - b. Any identified deficiencies must be repaired daily to prevent moisture infiltration.
 - c. Apply GenFlex TPO Edge Sealant to all membrane edges with exposed scrim at the rate of 115 linear feet (35.1 m) per bottle.

B. Seaming for Peel & Stick TPO (HW) ONLY (TPO Seam Tape Method)

1. Position the top membrane to overlap the bottom membrane by 3" (76.2 mm) for Standard TPO, TPO Plus, or Peel & Stick TPO (HW).
2. Stir GenFlex Clear Primer thoroughly before and during application until no sediment or marbling appears in the pail. **Do not thin.**
3. Assemble the GenFlex Scrub Pad & Handle in preparation for use. Dip the pad into the primer, and allow the pad to saturate with primer. **Do not roller apply primer.**
4. Open the lap area, exposing the top of the adhered bottom panel of membrane and the seaming area of the overlaying panel by inserting your hand and scrub pad applicator below the flap. Using a back and forth scrubbing motion, apply the primer to both seaming surfaces. Achieve a solidly primed surface without streaks or puddles at the application rate of 200 ft²/gal (4.91 m²/L). Do not overwork the primer.
5. Allow the primer to dry to the touch of a clean dry finger.
6. Unroll GenFlex Seam Tape, White along the line on the bottom membrane for the entire length of the seam. **Note: Do not remove the release liner from the tape at this time.**

7. With the release paper still on the tape, hand roll the entire strip of seam tape, using a 2" (50.8 mm) wide silicone or rubber roller. Be certain there is good contact between the membrane and seam tape.
8. Allow the top membrane to fall freely onto the bottom membrane. Pull the release paper from the tape at a 45° angle away from the seam, and achieve initial contact by brushing your hand across the top membrane at a right angle.
9. Using a 2" (50.8 mm) wide silicone or rubber roller, hand roll the entire splice, first at a right angle toward the outer edge and then along the length of the splice. Make sure there is sufficient contact between the membrane and the seam tape.

C. Seaming for Peel & Stick TPO (SA) Membrane

Note: The Peel & Stick TPO (SA) panels are manufactured without selvage edges and are not assembled with GenFlex Seam Tape.

1. Position the top Peel & Stick TPO (SA) membrane to overlap the bottom membrane by 4" (101.6 mm).
2. Stir GenFlex Clear Primer thoroughly before and during application until no sediment or marbling appears in the pail. **Do not thin.**
3. Assemble the GenFlex Scrub Pad & Handle in preparation for use. Dip the pad into the primer, and allow the pad to saturate with primer. **Do not roller apply primer.**
4. Open the lap area, exposing the top of the adhered bottom panel of membrane and the release liner of the overlaying panel by inserting your hand and scrub pad applicator below the flap. Using a back and forth scrubbing motion, apply the primer to the seaming surface of the bottom panel. Achieve a solidly primed surface without streaks or puddles at the application rate of 200 ft²/gal (4.91 m²/L). Do not overwork the primer.
5. Allow the primer to dry to the touch of a clean dry finger.
6. Remove the release liner from the seaming area of the top membrane panel, by pulling the liner at a 45° angle. Achieve initial contact by brushing your hand across the top membrane at a right angle or with a broom, avoiding wrinkles and fish mouths.
7. Hand roll the entire seam area with a 2" (50.8 mm) wide silicone or rubber roller in perpendicular direction across the narrow span of the seam area.

D. T-Joint Cover Application Instructions

Note: Special attention must be paid to areas where multiple layers (3 or more) of TPO field membrane come together forming T-joints.

1. **For Peel & Stick TPO (HW) with Hot Air Welded Seams**, T-Joint Covers are **recommended** for applications involving 45 mil (1.14 mm) membrane if probing reveals the presence of voids or cold welds and are **required** for applications involving 60 mil (1.52 mm) membrane regardless of probing results.
2. **For Peel & Stick TPO (HW) with 3" (76.2 mm) White Seam Tape**, T-joint covers are **required** at each T-joint regardless of membrane gauge.
3. **For Peel & Stick TPO (SA) Seams**, T-joint covers are **required** at each T-joint regardless of membrane gauge.
4. T-joint covers are available in two application forms: hot air welded and Peel & Stick. Hot air welded T-joint covers are marketed by GenFlex in packages of pre-cut covers or can be field formed by cutting 4" (101.6 mm) round disks from a roll of GenFlex Non-Reinforced TPO Flashing. Peel & Stick T-joint covers can be field formed by cutting 8.5" (215.9 mm) round disks from a roll of GenFlex FlexWhite Peel & Stick Flashing, or FlexWhite Peel & Stick T-Joint Covers (5.75" (146.1 mm) round) can be used. Installation methods for both types of covers are detailed below.

Hot Air Welded T-Joint Cover Instructions (See Detail T-6.08):

- a. A GenFlex TPO T-Joint Cover or 4" (101.60 mm) round field cut of GenFlex TPO Non-Reinforced Flashing shall be used in areas where three (3) or more layers of TPO membrane intersect (T-Joints).
- b. Clean the area where the T-joint cover will be applied thoroughly with GenFlex Cleaner. The area should be 6" (152.4 mm) round and have the intersection of the T-joint at its center point.
- c. Position the T-joint cover so that it is centered on the T-joint.
- d. Hot air weld the T-joint cover into place in accordance with GenFlex hot air welding requirements.
- e. Allow the hot air welded T-joint cover to cool thoroughly, and then probe its edges to be certain of a solid weld.
- f. Repair voids or cold welds as necessary to obtain a solid weld between T-joint cover and the underlying TPO membrane layers.

Peel & Stick T-Joint Cover Instructions:

- a. Clean the area where the T-joint cover will be applied thoroughly with GenFlex Cleaner. The area should be 12" (304.8 mm) round and have the intersection of the T-joint at its center point.
- b. Remove any visual signs of dirt or debris. Surface shall be free from any moisture, oil or other contaminants. Change cotton rags frequently to avoid depositing previously removed dirt or contaminants.
- c. Stir GenFlex Clear Primer thoroughly before using. **Do not thin.**
- d. Push the molded handle of the GenFlex Scrub Pad & Handle into the scrub pad material to embed the micro fasteners into the pad material. Dip the pad into the primer, and allow it to saturate with primer.
- e. Using a back and forth scrubbing motion, apply the Clear Primer to the seaming area to achieve a solidly primed surface without streaks or puddles at the application rate of 200 ft²/gal (4.9 m²/L). Do not overwork the primer or cause globs or irregularities.
- f. Allow the primer to dry until slightly tacky to a dry finger touch.
- g. Position the T-joint cover so that it is centered over the intersection. Remove the release paper from the T-joint cover. Fold the cover patch in half and hold by the edges while positioning the cover directly over the exact intersection of the T. Apply the cover to the primed T-joint, starting in the middle and working outward in all directions. Brush your hand across the top of the T-joint cover to achieve sufficient contact.
- h. Using a silicone coated, rubber, or steel hand roller, first hand roll the step-downs of the seams under the T-joint cover. Then hand roll the entire T-joint cover.
- i. Apply a high profile bead of GenFlex TPO Edge Caulk around the entire T-joint cover.

Note: A bead of high profile caulk will need to be applied 6" (152.4 mm) in each direction of the seam area away from the T-Joint Cover and along all cut membrane edges.

E. Inspect seams, perform any necessary repairs, and apply edge treatment.

1. Inspect all assembled seams daily, and repair any fishmouths or wrinkles in the seaming area by cutting out any raised membrane, laying the deck sheet flat, and repair using one of the following options.
 - a. Apply GenFlex TPO Cover Tape according to current GenFlex repair procedures.
 - b. For small repairs, after priming the repair area, adhere a field-cut 4" x 4" (101.6 mm x 101.6 mm) FlexWhite Flashing patch that extends a minimum of 2" (50.8 mm) past the repair area in all directions.
 - c. When a repair requires a cover material larger than GenFlex Cover Tape or small FlexWhite Flashing patches, use Peel & Stick TPO Membrane to overlay the repaired wrinkle. When using Peel & Stick TPO membrane, the perimeter of the cover must be seamed to the field membrane using current Peel & Stick TPO seaming requirements.
2. Once the seams have been inspected and any necessary corrections made, apply a high profile bead of white GenFlex TPO Edge Caulk to all seam edges with exposed reinforcement scrim.

Note: A high profile bead of edge caulk is not required on seams in which the overlapping sheet does not have a cut edge with exposed scrim, i.e. the encapsulated edge of the TPO membrane panel.

 - a. If the seam area has become contaminated with dirt or debris, etc., use a clean rag saturated with GenFlex Cleaner to clean the seam step off area. Change rags frequently to avoid depositing previously removed materials.
 - b. Apply a continuous high profile bead of white GenFlex TPO Edge Caulk as required along field seams, at field seam intersections, around T-joint covers, and cover tape end laps at the application rate of 15 linear feet (4.6 m) per tube.
3. If not sealed with TPO Edge Caulk, all TPO membrane cut edges with exposed reinforcement scrim require an application of GenFlex TPO Edge Sealant by the end of the workday in which the membrane with the raw edge is installed in the roofing system. Failure to seal the raw membrane edge before moisture wicks into the scrim may result in a leak source, depending on the location of the cut edge in relation to fasteners penetrating the membrane. Issues relating to unsealed edges will be corrected by the installing contractor at the contractor's expense as either a punch list item or under their two-year obligation if identified by GenFlex within twenty-four (24) months of approved final inspection.

3.08 PERIMETER AND BASE MEMBRANE SECUREMENT

- A. Regardless of the method used to secure the field of the roofing membrane, some points on every roof require additional membrane securement. These areas include roof perimeters (parapets, transitional walls and edges), deck angle changes in excess of 2"/12" (including drain sump areas), all curb-type roofing

penetrations, pipe-type penetrations greater than 12" (304.8 mm) in diameter, both sides of expansion joints and other areas where the membrane must be anchored to prevent movement, stress or damage to the roofing membrane. Refer to the TST details at the back of this specification and, where applicable, the TPO standard details in this manual for securement requirements.

Perimeter Attachment

1. GenFlex Roofing Systems offers several different types of attachment methods. Consult the appropriate GenFlex TST detail at the back of this specification.
 2. Base attachment is required at each roof level, curb skylight, expansion joint and roof penetration over 12" (304.8 mm) in diameter or any angle change in slope or combined slopes that exceed 2" (50.8 mm) in 12" (304.8 mm).
- B. Wood nailers provide a termination point for roofing insulation as well as a securement point for base flashing securement. Wood nailers are not covered by the GenFlex warranty because they are a product by others and considered part of the building structure. Following are GenFlex's requirements for wood nailers:
1. Wood nailers are required at all roof edges where metalwork, drip edges, or gutter systems are specified. The width of the nailer must exceed the width of the flange of any metalwork mounted to it and be of equal thickness to the roof insulation in order to protect the edge of the insulation and provide a substrate to which the metalwork can be anchored, without impeding drainage. Wood nailers are also required under any rooftop curbs that are not mounted directly to the structural deck with the same width and thickness requirements stated above.
 2. Wood Nailers must be #2 Grade or better lumber. Wood treated with preservatives containing creosote, asphalt, pentachlorophenol, copper naphthenate, copper 8-quinolinolate, and alkaline copper quaternaries (ACQ) have an adverse effect on single-ply roofing membranes and are not acceptable for use in a GenFlex roofing system.
 3. In all cases, the wood nailer must be anchored to the deck in an industry accepted method to the designing architect's specification. As a minimum standard, the wood nailers must be anchored sufficiently to resist 200 lb (889.6 N) of force per linear foot in any direction with fasteners spaced not more than 24" (609.6 mm) apart. Refer to the Perimeter Flashing portion of Factory Loss Prevention Data 1-49 (June 1985) for nailer securement recommendations. Wood nailers are not part of the GenFlex roofing system and are not covered by the GenFlex warranty.

3.09 FLASHINGS (REVIEW THE APPROPRIATE FLASHING DETAIL IN THIS MANUAL.)

- A. Roof perimeter flashing and flashing around vents, skylights and miscellaneous roof projections must utilize GenFlex pre-molded TPO flashings to the greatest extent possible. Field fabricated detail flashings using GenFlex TPO Non Reinforced Flashing are acceptable only when a pre-molded flashing is unfeasible, such as on pipes without top access.

GenFlex Roofing Systems offers numerous options for flashing. See our standard details.

1. Vertical Membrane Flashings (Parapets, Transitional Walls, Curbs, etc.)

Wall, parapet, and/or curb flashings may be completed using GenFlex Peel & Stick TPO (HW) or (SA) or standard TPO membrane equal in gauge (thickness) to the deck membrane.

For GenFlex Peel & Stick TPO as Vertical Membrane Flashings:

- a. Stir GenFlex Clear Primer thoroughly. Achieve a uniform mix with no marbling and no sediment on the bottom of the pail. **Do not thin.**
- b. All vertical substrates require priming with GenFlex Clear Primer roller applied to the substrate with a medium nap roller at the application rate of 200 ft²/gal (4.9 m²/L) and allowed to dry.

Note: Some porous surfaces may require a second primer application to achieve a suitable bonding substrate. The installing contractor should identify the most adverse area of vertical substrate and perform a bonding test to determine if a single primer coat is sufficient to seal the surface for the Peel & Stick TPO membrane application.

- c. Once the GenFlex Clear Primer has flashed-off, sealing the vertical substrate in preparation for flashing, position the Peel & Stick TPO membrane at the base of the vertical substrate with the seam area folded under to protect it from contamination.
- d. Remove the release liner from the Peel & Stick TPO membrane, and mate the membrane to the prepared substrate by rolling the membrane up the substrate without wrinkles or trapped air and extending over the top of the substrate in accordance with the requirements of the appropriate GenFlex termination detail.

For Standard TPO Membrane:

Note: Requires intermediate attachment at 24" (609.6 mm) intervals. See T-3.01 and T-3.02.

- a. Stir GenFlex bonding adhesive thoroughly. Achieve a uniform mix with no marbling and no sediment on the bottom of the pail. **Do not thin.**
- b. Apply GenFlex bonding adhesive to both the flashing material and the vertical substrate to which it is being bonded. Refer to Section 2.03 of this specification for coverage rates of GenFlex bonding adhesives.
- c. Allow adhesive to flash-off until the surface of the adhesive-coated membrane flashing feels tacky but does not transfer to a clean dry finger or "slide" when a push test is performed.
- d. Roll the prepared flashing membrane into the angle change, avoiding both sharp creases and excessive bridging, and continue up the vertical substrate without wrinkles, creases or trapped air, while smoothing the flashing to the substrate with a sweeping motion of your hand to promote a positive bond. **Note:** Allow flashing membrane to bridge slightly at the deck to vertical substrate junction equal to the amount that will still allow a rubber or silicone hand seam roller to make contact with both the vertical and horizontal membrane surfaces simultaneously.

For Both Types of TPO Membrane as Vertical Membrane Flashings:

- e. Once the flashing has been preliminarily bonded to the vertical substrate by hand, sweep the flashing material with a medium-stiff bristle broom to finish the bonding process.
- f. Terminate top edge of flashing per GenFlex Roofing Systems standard TPO details.
- g. Complete all seams between the flashing membrane and the field membrane according to the applicable GenFlex Peel & Stick TPO seaming procedure.

2. Flashing penetrations passing through the roofing membrane.

- a. Flash all pipes with GenFlex pre-molded pipe boots to the greatest extent possible. Field fabricate pipe flashings with GenFlex TPO Non-Reinforced Flashing per standard GenFlex Roofing Systems details when a pre-molded flashing is not feasible. **Note:** All existing flashings must be removed before applying a new flashing.
- b. The fully family of FlexWhite flashings may be used on Peel & Stick TPO roof systems.
- c. The full family of Peel & Stick EPDM flashings may be used on Peel & Stick TPO roof systems and coated upon acceptance by the GenFlex Technical Representative with GenFlex Ace Coating to match the new roof system.

B. Expansion Joints and Building Control Joints.

1. Consult GenFlex Roofing Systems standard details for various application methods: T-11.01, T-11.02, T-11.03, and T-11.04

C. Pitch Pans

1. Fill pitch pans in accordance with GenFlex Roofing Systems standard details: T-9.01, T-9.02, T-9.03, and T-9.05.

D. Roof Drains

1. Consult GenFlex Roofing Systems standard details T-8.01 and T-8.02.
2. Prepare substrate around each roof drain to prevent membrane bridging or distortion and to provide a smooth transition from the roof surface to the drain clamping ring.
3. The surface between the clamping ring and the drain must be clean and smooth. Remove all existing flashing, cement or lead on retrofit projects down to bare clean metal.
4. Apply one (1) complete tube of GenFlex Water Stop between drain bowl compression flange and the underside of the new membrane before compressing the new membrane to drain bowl assembly, with the compression ring mounted on the top surface of the new membrane. The detail is only complete when the water stop is fully compressed between the new membrane and the flange of the drain bowl, forming a solid seal between the two. Be careful to compress the assembly evenly to avoid cracking or breaking the drain compression ring. Cracked or broken drain compression rings may result in a reinspection of the finished roof system to make certain corrective measures have been made before GenFlex will accept the roof system for warranty coverage.
5. **All bolts and/or clamps must be in place in order to provide constant, even compression.** Missing drain bolts may result in a reinspection of the finished roof system to make certain corrective measures have been made before GenFlex will accept the roof system for warranty coverage.
6. Do not run seams through roof drains or sumps. If a seam is run through a drain sump, cut the membrane with the assembled seam outside of the drain compression ring area, and install a target patch of new membrane extending a minimum of 3" (76.2 mm) outside of the sump area and seamed into the field membrane, using GenFlex standard hot air welding procedures. Apply T-joint covers

as required at the target patch to seam intersections in accordance with GenFlex standard T-joint application procedures.

E. Scuppers

1. Scuppers are to be constructed according to criteria detailed in the Sheet Metal and Air Conditioning Contractors National Association (SMACNA) Manual.
2. As a minimum, GenFlex requirements regarding scuppers are as follows: the scupper assembly must be fabricated from a minimum of 24 ga (0.45 mm) G-90 steel, 0.040" (1.02 mm) aluminum, or GenFlex TPO Coated Metal and be sized to fit snugly through the wall opening. All joints must be sealed according to SMACNA standards, and the scupper must include a continuous 3" (76.2 mm) wide interior face flange with continuous rounded corners. The scupper must also be of sufficient length to extend through the exterior wall by at least 1/2" (12.7 mm), and be capable of being sealed on the exterior of the building to prevent backflow into the roof system or wall cavity.
3. In addition to the above, if a scupper is to be mounted at the deck to wall or parapet junction, a wood nailer of equal thickness to the roofing insulation must be secured to the structural deck below the scupper flange to provide a suitable mounting surface for the scupper.
4. Cut the flashing membrane tightly to the scupper opening in the wall.
5. Apply a heavy bead of Water Stop around the scupper opening (15 lf (4.6 m) per tube).
6. Insert the scupper sleeve into the scupper opening, and press the mounting flange into the Water Stop.
7. Secure the flange to the substrate with an appropriate fastener.
8. Flash scupper in accordance with the appropriate current GenFlex scupper detail.

F. Metalwork

1. Metalwork is not waterproofing. The installed membrane and roofing system must be made watertight before metal application.
2. No roof system is complete until all the edges are terminated in such a way as to prevent water infiltration into the roofed structure. This typically involves the use of manufactured or shop fabricated metal detailing, such as coping caps, gravel stops, roof edging, flashing and counter-flashing components. All metalwork should be fabricated and installed according to SMACNA and National Roofing Contractors Association (NRCA) guidelines. Unless specifically agreed to in writing by the GenFlex Technical Department prior to installation, metalwork manufactured by others is not included in the GenFlex warranty coverage.
3. The designer and roofing contractor should be aware that many municipalities and states are beginning to enforce metal codes that, until recently, were merely used as guidelines. These metal codes relate to minimum standards on material, fabrication, and testing of roof related metalwork. It is the contractor's responsibility to review and know the building codes relating to their roofing projects in order to avoid costly remedial work to bring a project into compliance.
4. If the metalwork on a project is specified by the designer to be included in a full system warranty, use GenFlex brand edge metal and coping products. Contact your Territory Sales Manager or Sales Representative for information.
5. If a metal flashing product by others is submitted via a deviation request for inclusion in the warranty coverage, the following are minimum requirements for consideration:
 - a. The metalwork must be shop or factory formed or extruded.
 - b. The metalwork must be configured and installed in accordance with SMACNA guidelines and NRCA installation instructions.
 - c. Minimum requirements regarding metalwork material are, 24 ga (0.61 mm) G-90 Kynar pre-finished steel or 0.040" (1.02 mm) aluminum (mill finished, pre-finished or anodized).
 - d. A deviation request for inclusion of metalwork in warranty coverage must accompany the Pre-Job Survey form submitted by the installing contractor.
 - e. The deviation request must include shop drawings of the metalwork to be included and a roof plan showing the installed location and linear dimension for each profile.
 - f. Should the deviation request be granted, the installing contractor will be responsible to GenFlex Roofing Systems for a period of two-years from the date of GenFlex inspection and acceptance under their installers agreement.
6. Metalwork installation, regardless of material source, must be according to the metalwork manufacturers instructions available from the manufacturer or supplier.
 - a. Metalwork formed by roofing contractors must be fabricated and installed in accordance with

SMACNA and NRCA recommendations. All flange-mounted metalwork must be flashed according to the appropriate GenFlex material type's standard details. Metalwork formed by contractors is not eligible for warranty coverage unless the conditions listed under item "C" above are met and GenFlex accepts the metalwork for warranty coverage in writing.

- b. Metalwork by roofing contractors must have metal joints stripped-in to the uppermost edge of the metal dam on the roof side.
- c. TPO projects with cover tape flange strip-in of metalwork with a gravel dam (or a formed configuration that is capable of holding water on the edge of the installed cover tape) must have GenFlex TPO Edge Caulk applied on both sides of the cover tape.
- d. Gravel stop style metalwork on TPO roof systems may be fabricated from GenFlex TPO Coated Metal in order to provide a suitable welding surface to seal the roof system to the metalwork. As an alternative on some TPO applications, it may be appropriate and permissible to use a two-piece snap on fascia assembly instead of clad metal. Consult your GenFlex Regional Technical Manager for options.

7. The approval of metalwork for inclusion in warranty coverage is conditional upon acceptance by GenFlex Roofing Systems, and, if approved, is subject to the "terms, conditions and limitations" of the requested warranty. Under no circumstance will any warranty coverage for metalwork exceed the wind speed limitation of the warranty issued for the roof system. Aesthetic appearance is expressly excluded from warranty coverage.

8. Metalwork by others is not permitted on projects requiring full system warranties and wind speed coverage equal to, or greater than, 90 mph (144.8 km/h).

G. Night Seal

1. Consult GenFlex Roofing Systems standard detail T-19.03.
2. At the completion of each day's work, a watertight seal must be established at any loose edge of membrane with an appropriate sealant. Care must be used to guarantee that no water flows beneath any completed sections of roof. Consult GenFlex Roofing Systems standard night seal detail for method of attachment. Membrane contaminated with the sealant used as a night seal must be cut out and discarded prior to resumption of work.

3.10 WALKWAYS

- A. Consult GenFlex Roofing Systems standard detail T-16.04.
- B. Walkways are required at all access points to the roof system and recommended anywhere routine (routine is defined as once a month or more) traffic on the membrane surface is anticipated. Walkway pads are used to protect the weatherproofing membrane from damage or excessive wear and tear. Traffic-related roof damage is not covered by the GenFlex warranty. In areas of extreme traffic, contact GenFlex for options to enhance the roof system in order to prevent or mitigate traffic-related insulation damage. Walkway maintenance is the responsibility of the building owner because walkway pads are not part of the warranted waterproofing assembly.
- C. Should access to the roofing membrane be required in order to perform warranty service to the roof system, only GenFlex brand walkway pads will be moved and replaced as necessary to perform service at GenFlex's expense. Pavers, walkway systems, patio surface components and other products neither manufactured or supplied by GenFlex Roofing Systems that impede roof system service must be removed and replaced at the building owner's expense. Should the obstacle removal and replacement be performed by the GenFlex contractor servicing a leak call under building owner authorization and/or purchase order, GenFlex assumes no responsibility or liability for the performance of the contractor in performing that service.

3.11 FINISHED ROOF PROTECTION

- A. When it becomes necessary for other trades to work over a completed area of new roof, the roofing membrane and flashing must be protected from physical damage. Proper and adequate protection includes installing a slip-sheet in the work area overlaid with plywood or OSB, in order to dissipate the effects of traffic on the finished roof surface and to prevent impact damage to the system caused by dropped tools and/or equipment. If damage does occur to the roof system, it must be repaired immediately in order to preserve the integrity of the roof system. If membrane is damaged in more than six (6) locations within a 100 ft² (9.3 m²) area, new membrane extending 6" (152.4 mm) beyond the border of the damaged areas must be installed over existing membrane in accordance with GenFlex specifications. For fully adhered and mechanically attached applications, the membrane must be fully bonded with the existing underlying membrane with a GenFlex approved adhesive. Contact the GenFlex Technical Department with any questions on how to address comprehensive damage.

INSULATION ATTACHMENT RATES FOR FULLY ADHERED SYSTEMS

Insulation	FM Rating	Thickness	Frequency # per 4' x 8' bd. (1.2 m x 2.4 m)	Fastener & Plate	Pattern
GenFlex Polyiso	I-60 ^A	1" to 1.4" (25.4 to 35.6 mm)	16	GenFast #12, #14, #15 and GenFast Insulation Plate	1
	I-90 ^B	1.5" to 1.9" (38.1 to 48.3 mm)	12		3
	I-90 ^B	2" to 4" (50.8 to 101.6 mm)	8		7
GenFlex 1/2" HD ISO (Cover Board)	I-90 ^B	1/2" (12.7 mm)	12	GenFast #12, #14, #15 and GenFast Insulation Plate	4
GenFlex Wood Fiber Board	I-60 ^A	1/2" (12.7 mm)	16	GenFast #12, #14, #15 and GenFast Insulation Plate	1
	I-90 ^B	1" (25.4 mm)	16		1
GP DensDeck	I-60 ^A	1/4" (6.4 mm)	12	GenFast #12, #14, #15 and GenFast Insulation Plate	5
	I-90 ^B	1/4" (6.4 mm)	16		2
	I-60 ^A	1/2" (12.7 mm)	10		6
	I-90 ^B	1/2" (12.7 mm)	16		2
	I-60 ^A / I-75 ^A / I-90 ^B	5/8" (15.9 mm)	8		8
GP DensDeck Prime	I-60 ^A / I-75 ^A / I-90 ^B	1/4" (6.4 mm)	12	GenFast #12, #14, #15 and GenFast Insulation Plate	5
	I-60 ^A	1/2" (12.7 mm)	10		6
	I-90 ^B	1/2" (12.7 mm)	12		5
	I-60 ^A / I-75 ^A / I-90 ^B	5/8" (15.9 mm)	8		8

NOTES:

^A On I-60 and I-75 systems, for all mechanically fastened insulations or thermal barriers, the number of fasteners per board should be increased over the FMRC-approved field of roof spacing by:

50% In the roof perimeter

100% In the roof corners

Round up to the next whole number of fasteners.

^B For I-90 systems, refer to the Loss Prevention Data Sheet 1-29.

The width of the roof corners and perimeter is defined as the smaller of:

0.1 Times the building lesser plan dimension

0.4 Times the eave height

Subject to a minimum width of 4' (1.2 m)

For GenFlex warranted projects on which no FM requirements apply, follow FM I-60 fastening patterns for buildings less than 50' (15.2 m) high in non-hurricane zones. Please contact the GenFlex Technical Department for buildings over 50' (15.2 m) high or located in hurricane or high wind zones.

On recover systems, Factory Mutual limits the insulation thickness to a maximum of one (1) inch (25.4 mm). Contact the GenFlex Technical Department for approvals over deck types other than metal or concrete, e.g. cementitious wood fiber, gypsum, etc. Minimum #14 Fasteners are required for concrete decks.

07/2010

Pattern #1
 For use with:
 0.5" to 1.4" GenFlex Polyiso
 1/2" GenFlex Wood Fiber
 1" GenFlex Wood Fiber

Metric Conversions:
 0.5" to 1.4" = 12.7 mm to 35.6 mm
 1/2" = 12.7 mm
 1" = 25.4 mm
 6" = 152.4 mm
 12" = 304.8 mm
 18" = 457.2 mm
 24" = 609.6 mm
 4' = 1.2 m
 8' = 2.4 m

Pattern #2
 For use with 1/4"
 and 1/2" DensDeck

Metric Conversions:
 1/4" = 6.4 mm
 1/2" = 12.7 mm
 6" = 152.4 mm
 12" = 304.8 mm
 18" = 457.2 mm
 24" = 609.6 mm
 4' = 1.2 m
 8' = 2.4 m

Pattern #3
 For use with 1.5" to
 1.9" GenFlex Polyiso

Metric Conversions:
 1.5" to 1.9" = 38.1 mm to 48.3 mm
 6" = 152.4 mm
 12" = 304.8 mm
 18" = 457.2 mm
 24" = 609.6 mm
 36" = 914.4 mm
 4' = 1.2 m
 8' = 2.4 m

Pattern #4
 For use with GenFlex
 1/2" HD ISO
 (Cover Board)

Metric Conversions:
 1/2" = 12.7 mm
 6" = 152.4 mm
 12" = 304.8 mm
 18" = 457.2 mm
 36" = 914.4 mm
 4' = 1.2 m
 8' = 2.4 m

Use this visual reference in conjunction with the **Insulation For Fully Adhered Systems** table located in the **Design Criteria** section of this manual and in the back of the **Fully Adhered Application Specification**.

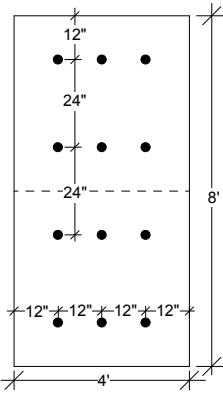
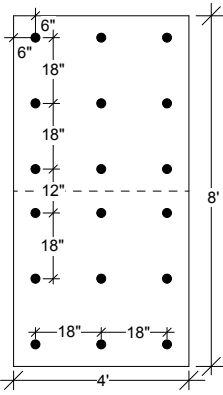
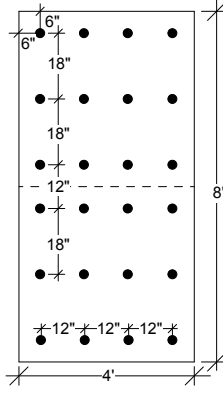
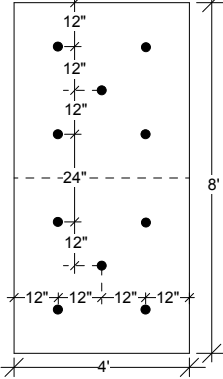
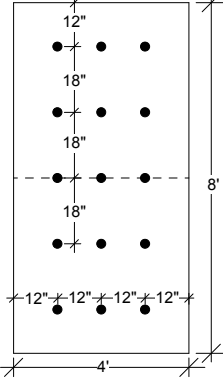
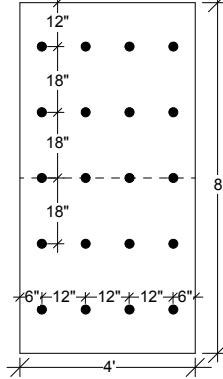
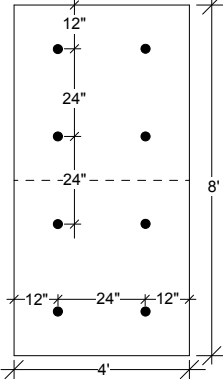
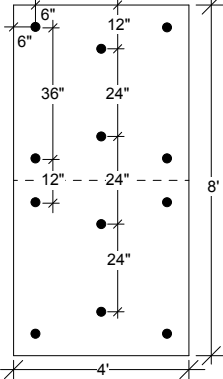
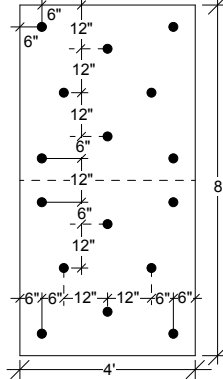
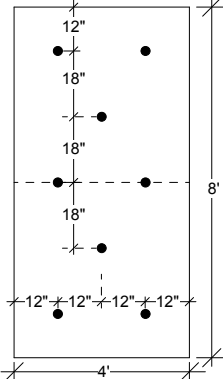
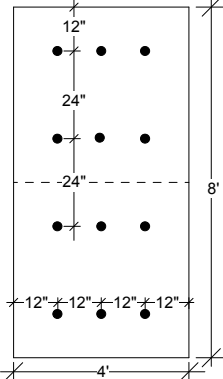
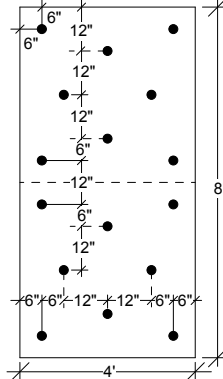



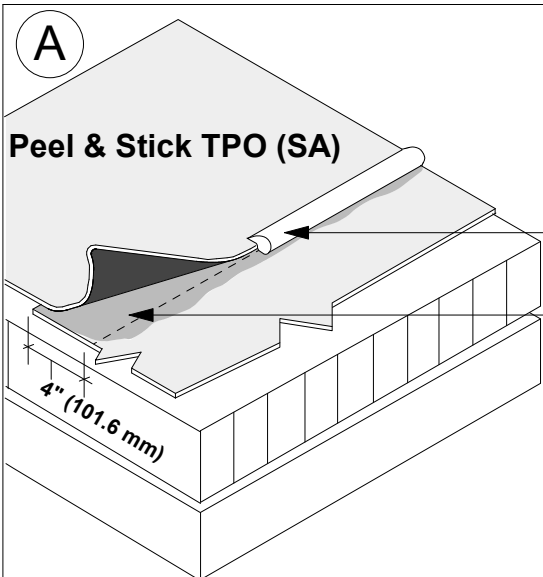
07/10

Insulation Securement Patterns

Detail #: ISP 1 - 4

All Adhered Systems

<p>Pattern #5 For use with: 1/4" DensDeck 1/4" and 1/2" DensDeck Prime</p> <p>Metric Conversions: 1/4" = 6.4 mm 1/2" = 12.7 mm 6" = 152.4 mm 12" = 304.8 mm 18" = 457.2 mm 24" = 609.6 mm 4' = 1.2 m 8' = 2.4 m</p>	<p>Base Pattern</p> 	<p>Perimeter + 50%</p> 	<p>Corner + 100%</p> 
<p>Pattern #6 For use with 1/2" DensDeck 1/2" DensDeck Prime</p> <p>Metric Conversions: 1/2" = 12.7 mm 6" = 152.4 mm 12" = 304.8 mm 18" = 457.2 mm 24" = 609.6 mm 4' = 1.2 m 8' = 2.4 m</p>			
<p>Pattern #7 For use with 2.0" to 4.0" GenFlex Polyiso</p> <p>Metric Conversions: 2.0" to 4.0" = 50.8 mm to 101.6 mm 6" = 152.4 mm 12" = 304.8 mm 18" = 457.2 mm 24" = 609.6 mm 36" = 914.4 mm 4' = 1.2 m 8' = 2.4 m</p>			
<p>Pattern #8 For use with 5/8" DensDeck 5/8" DensDeck Prime</p> <p>Note: Pattern #7 Base Pattern is also acceptable.</p> <p>Metric Conversions: 1/2" = 12.7 mm 5/8" = 15.9 mm 6" = 152.4 mm 12" = 304.8 mm 18" = 457.2 mm 24" = 609.6 mm 36" = 914.4 mm 4' = 1.2 m 8' = 2.4 m</p>			
<p>Use this visual reference in conjunction with the Insulation For Fully Adhered Systems table located in the Design Criteria section of this manual and in the back of the Fully Adhered Application Specification.</p>		 <p style="text-align: right;">07/10</p>	
<p>Insulation Securement Patterns</p>	<p>Detail #: ISP 5 - 8</p>	<p>All Adhered Systems</p>	

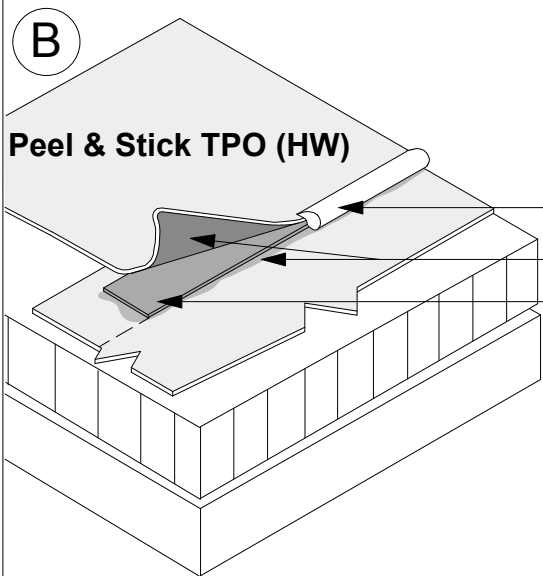


Peel & Stick TPO (SA) Seaming

Refer to section 3.07 for Peel & Stick TPO (SA) seaming instructions.

SA Seams are to be minimum 4" (101.6 mm) wide on side laps and 6" (152.4 mm) wide on end laps.

- GenFlex TPO Edge Caulk
(Required on all "SA" seams)
- GenFlex Clear Primer Applied with Scrub Pad & Handle

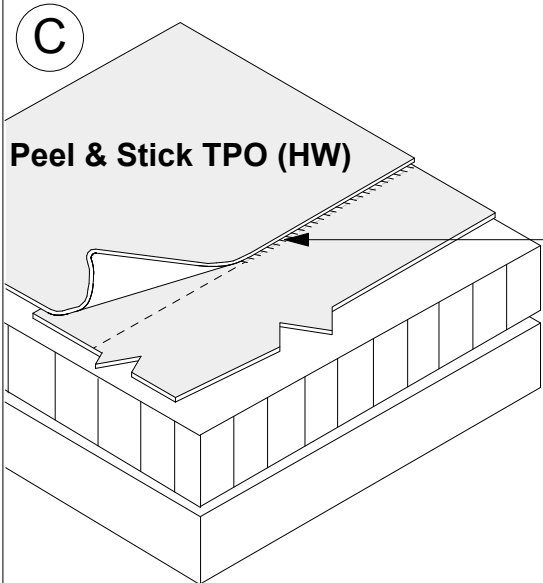


Peel & Stick TPO (HW) & TPO Seam Tape (3")

Refer to section 3.07 for Peel & Stick TPO (HW) seam tape seaming instructions.

- GenFlex TPO Edge Caulk
(Required on all seam tape seams with exposed reinforcement scrim.)
- GenFlex Clear Primer Applied with Scrub Pad & Handle
- GenFlex TPO Seam Tape (3")

Position the upper membrane panel as required to achieve a 3" (76.2 mm) lap over the adjacent panel, and mark the position of the upper membrane panel edge plus 1/4" (6.4 mm) with a crayon on the lower panel. Using a GenFlex Scrub Pad & Handle, apply Clear Primer to the seaming areas of **both** panels, and allow the primer to flash off. Position and apply the 3 inch wide TPO Seam Tape along the marks as required to achieve 1/8" to 1/4" (3.2 to 6.4 mm) of exposure once the seam is assembled.



Peel & Stick TPO (HW) & Hot Air Welded Seams

Refer to section 3.07 for Peel & Stick TPO (HW) hot air weld seaming instructions.

- 1 1/2" min. (38.1 mm) Hot Air Weld

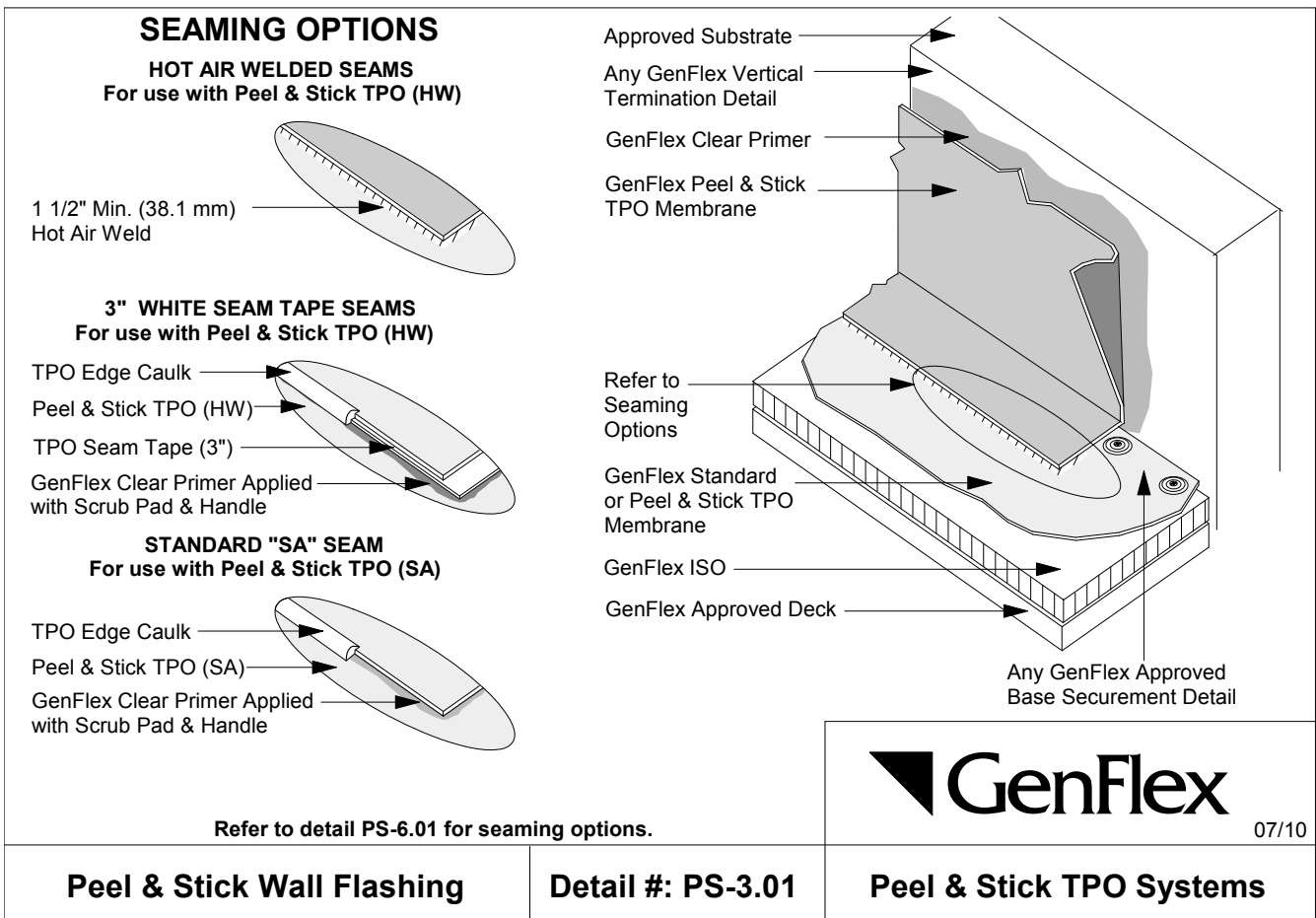
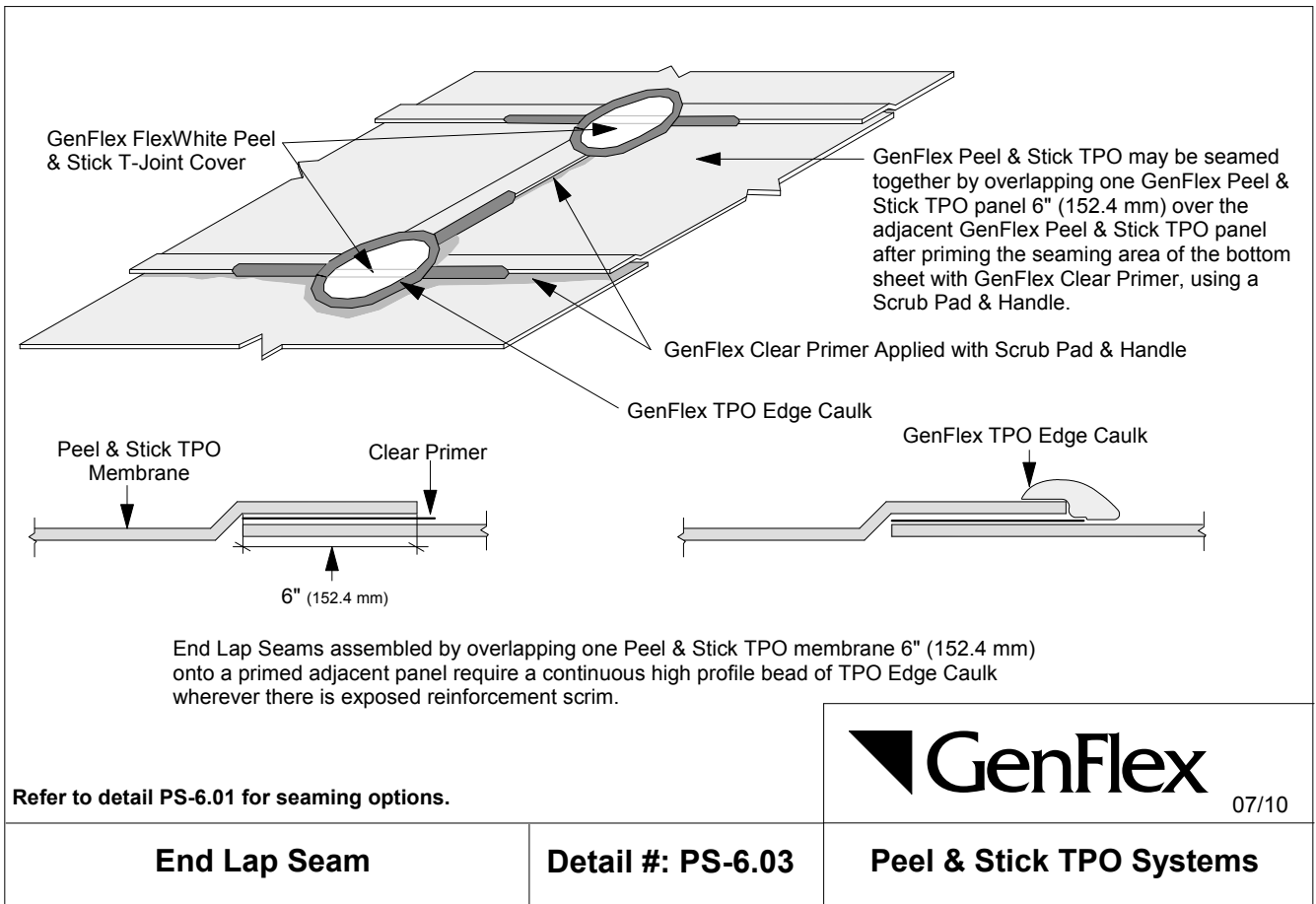


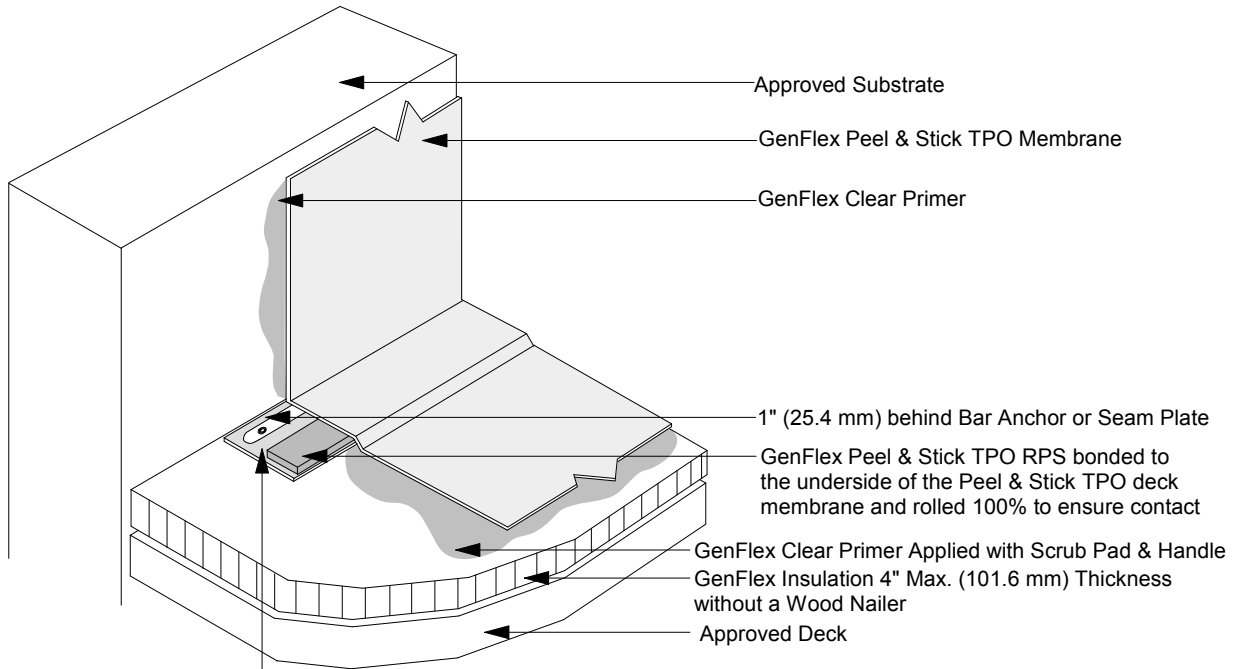
07/10

Seaming Methods for
Peel & Stick TPO

Detail #: PS- 6.01

Peel & Stick TPO Systems





GenFast Bar Anchor or Seam Plates secured with Approved GenFlex Fasteners spaced Max. 12" o.c. (304.8 mm). Fasteners not to exceed 6" (152.4 mm) in length. Fasteners may also be anchored vertically, tightly into the angle change.

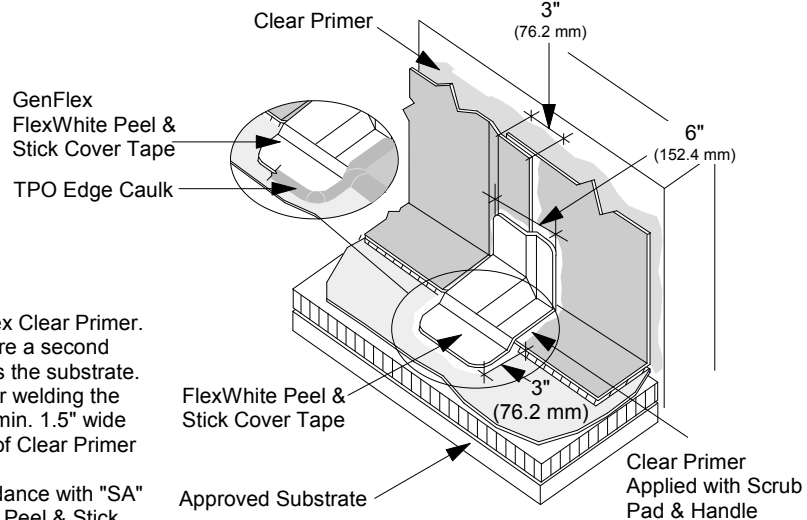


07/10

Peel & Stick TPO RPS

Detail #: PS-3.02

Peel & Stick TPO Systems



1. All vertical substrates require priming with GenFlex Clear Primer. Porous, or highly absorbent substrates may require a second primer application after the initial application seals the substrate.
2. Peel & Stick TPO (HW) may be seamed by hot air welding the selvage edge of the flashing to the deck sheet (min. 1.5" wide welds) or with TPO Seam Tape after application of Clear Primer with a Scrub Pad & Handle.
3. Peel & Stick TPO (SA) must be seamed in accordance with "SA" seaming instructions - refer to Section 3.07 in the Peel & Stick TPO specification.
4. The strip-in flashing must extend 3" (76.2 mm) beyond the seam edge onto the deck sheet and vertically to a point 3" (76.2 mm) above the angle change.
5. "SA" seams and "HW" seam tape seams require a continuous high profile bead of edge caulk the same day the seams are assembled if exposed scrim is present.
6. Standard TPO membrane & Bonding Adhesive may be used as parapet flashing with no strip-in of vertical joints required when the seams are assembled with hot air welds.

Refer to detail PS-6.01 for seaming options.



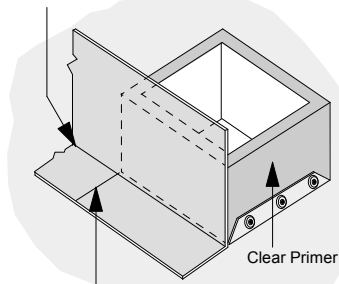
07/10

Peel & Stick TPO Flashing Vertical Joints

Detail #: PS-3.03

Peel & Stick TPO Systems

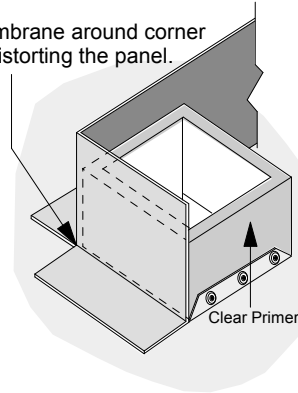
Angle Change



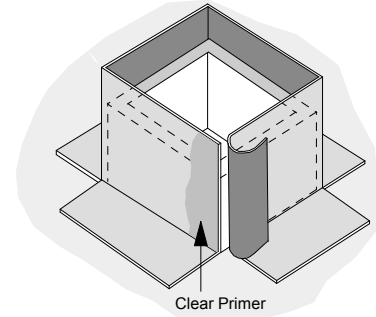
Locate and cut deck flange even with the corner.

1. Install base securement at the angle change.
2. Prime vertical substrate with GenFlex Clear Primer at the rate of 200 ft²/gal (4.9 m²/L).
3. Position Peel & Stick membrane (cut to fit the height of the curb by the diameter of the curb plus 6" (152.4 mm)) into the angle change and lined up with a down-slope corner of the curb.
4. Locate the corner of the curb by feel through the Peel & Stick membrane, and cut the deck flange portion of the membrane in order to wrap the Peel & Stick membrane around the corner.

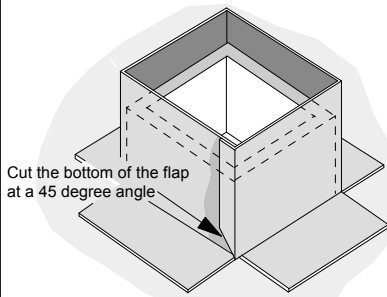
Turn membrane around corner without distorting the panel.



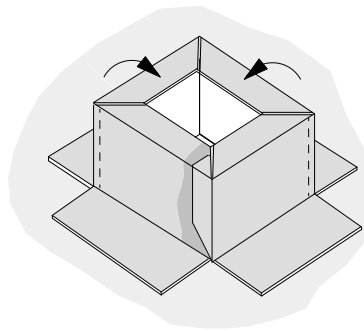
5. Repeat Step 4 as required to wrap entire curb.



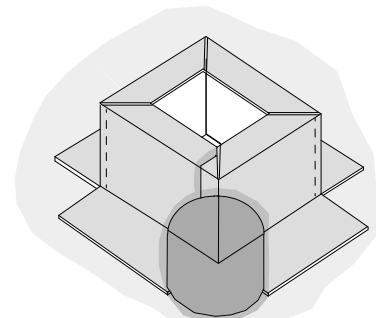
6. Once the Peel & Stick membrane has been wrapped around the primed curb, use a Scrub Pad & Handle to apply Clear Primer to the top of the membrane panel end in preparation for the flap to be wrapped around the corner and mated to the membrane surface. In keeping with good roofing practice, the flap should be oriented on the down-slope side of the penetration.



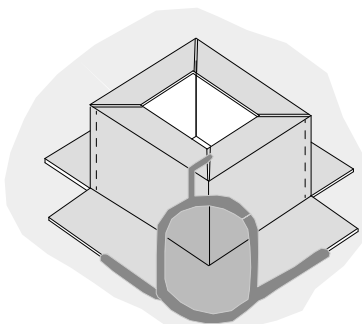
7. After the primer applied in Step 6 flashes-off, wrap the membrane flap around the corner and roll into place.



8. Fold the excess flashing onto the top of the penetration, neatly creasing the corners and fasten.



9. After seaming the flashing flange to the deck sheet, use a Scrub Pad & Handle to prime the corner with Clear Primer. Apply a corner flashing cut from FlexWhite Peel & Stick Flashing, or apply a FlexWhite Peel & Stick Corner. Refer to detail PS-6.01 for the appropriate seaming method.



10. Apply TPO Edge Caulk to the Peel & Stick TPO edges and around the corner flashing.

Refer to detail PS-6.01 for seaming options.



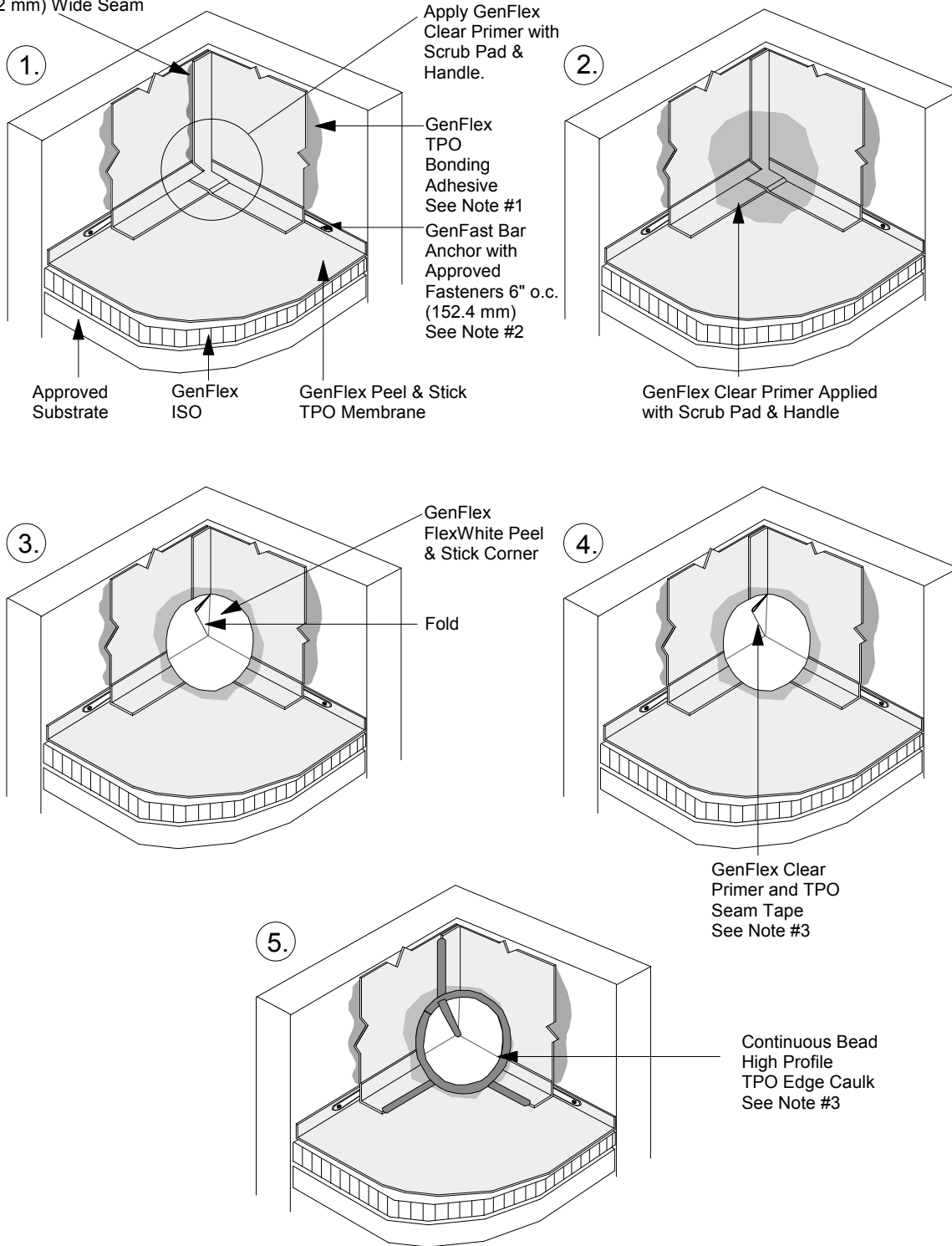
07/10

Peel & Stick Curb Flashing

Detail #: PS-3.04

Peel & Stick TPO Systems

GenFlex Clear Primer & 3" (76.2 mm) Wide Seam



1. All parapet walls and roof curbs must be suitable for flashing, i.e. clean, tight, smooth, no cracks, etc.
2. Polymer Batten Strips cannot be used for attachments into brick, block, or concrete wall substrates. Use only on smooth surfaces, e.g. wood or insulation.
3. Adhere fold in inside corner by first priming the corner flashing with GenFlex Clear Primer. Use a GenFlex Scrub Pad & Handle. Cut TPO Seam Tape to size necessary to hold fold in place, and apply a bead of GenFlex TPO Edge Caulk to all exposed edges, following a pre-cleaning of the seam area with GenFlex Cleaner.

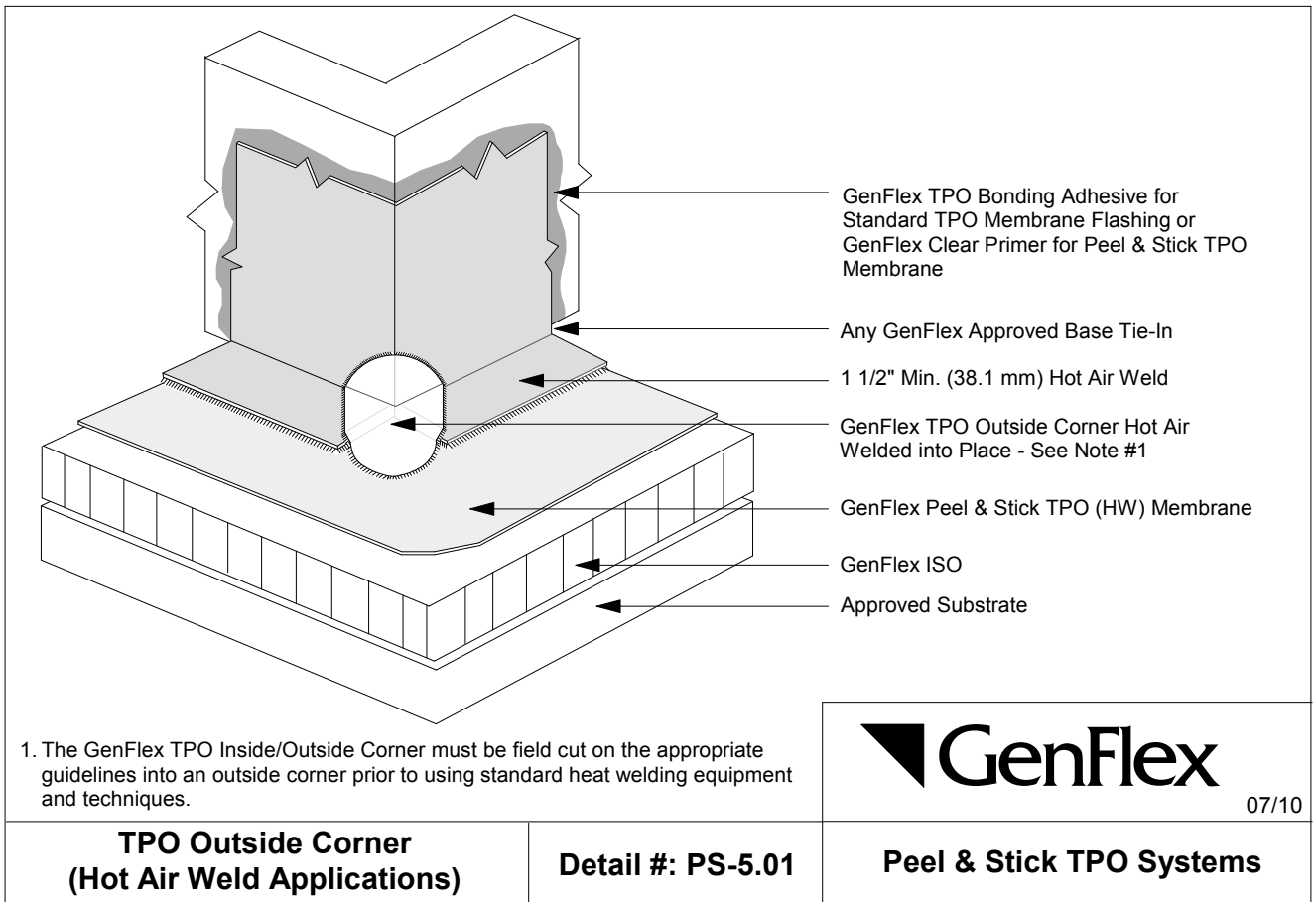


07/10

Inside Corner with FlexWhite Peel & Stick Corner

Detail #: PS-4.02

Peel & Stick TPO Systems



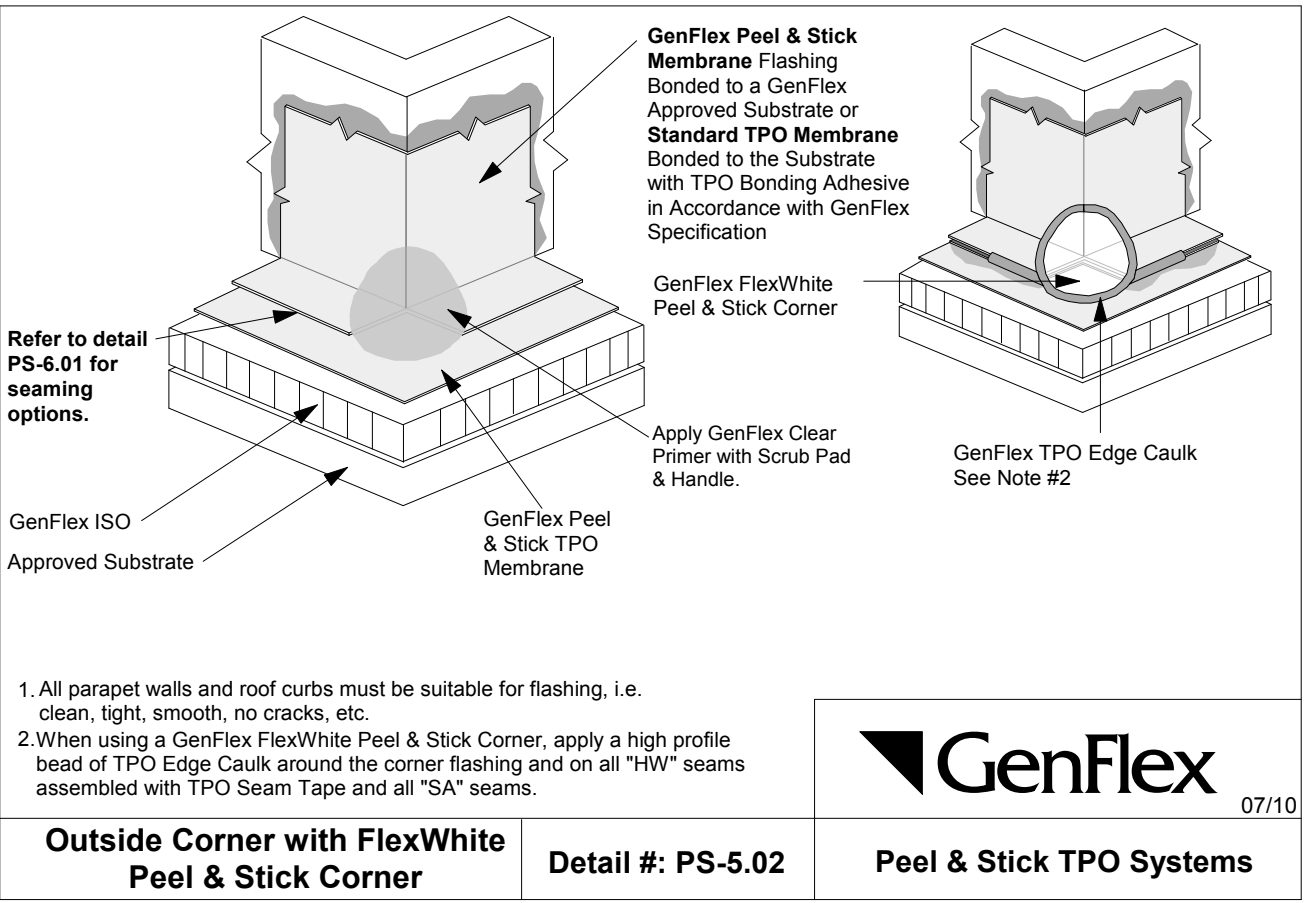
1. The GenFlex TPO Inside/Outside Corner must be field cut on the appropriate guidelines into an outside corner prior to using standard heat welding equipment and techniques.

GenFlex 07/10

**TPO Outside Corner
(Hot Air Weld Applications)**

Detail #: PS-5.01

Peel & Stick TPO Systems



Refer to detail PS-6.01 for seaming options.

GenFlex ISO
Approved Substrate

GenFlex Peel & Stick TPO Membrane

GenFlex Peel & Stick Membrane Flashing Bonded to a GenFlex Approved Substrate or Standard TPO Membrane Bonded to the Substrate with TPO Bonding Adhesive in Accordance with GenFlex Specification

GenFlex FlexWhite Peel & Stick Corner

Apply GenFlex Clear Primer with Scrub Pad & Handle.

GenFlex TPO Edge Caulk See Note #2

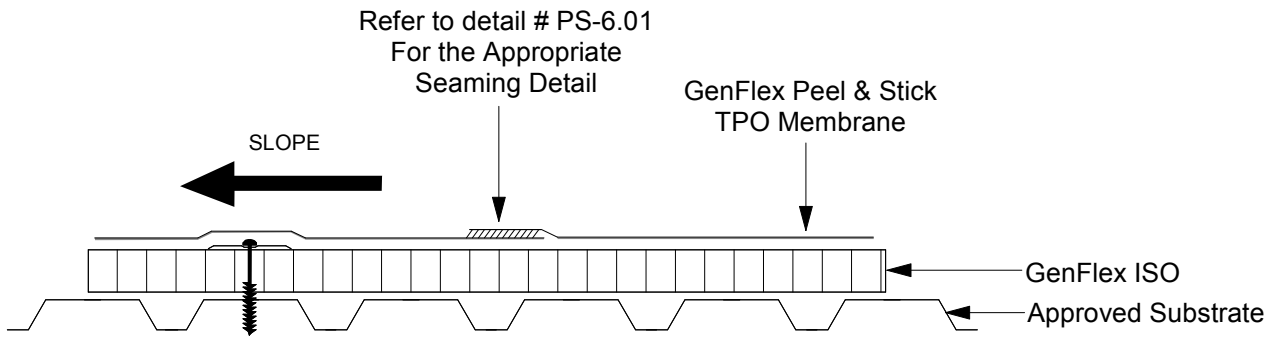
1. All parapet walls and roof curbs must be suitable for flashing, i.e. clean, tight, smooth, no cracks, etc.
2. When using a GenFlex FlexWhite Peel & Stick Corner, apply a high profile bead of TPO Edge Caulk around the corner flashing and on all "HW" seams assembled with TPO Seam Tape and all "SA" seams.

GenFlex 07/10

Outside Corner with FlexWhite Peel & Stick Corner

Detail #: PS-5.02

Peel & Stick TPO Systems



Position insulation to enable securement into the top flutes on steel decks to ensure positive attachment and to reduce fastener movement. Insulation should be installed with board edges resting on the top flutes.

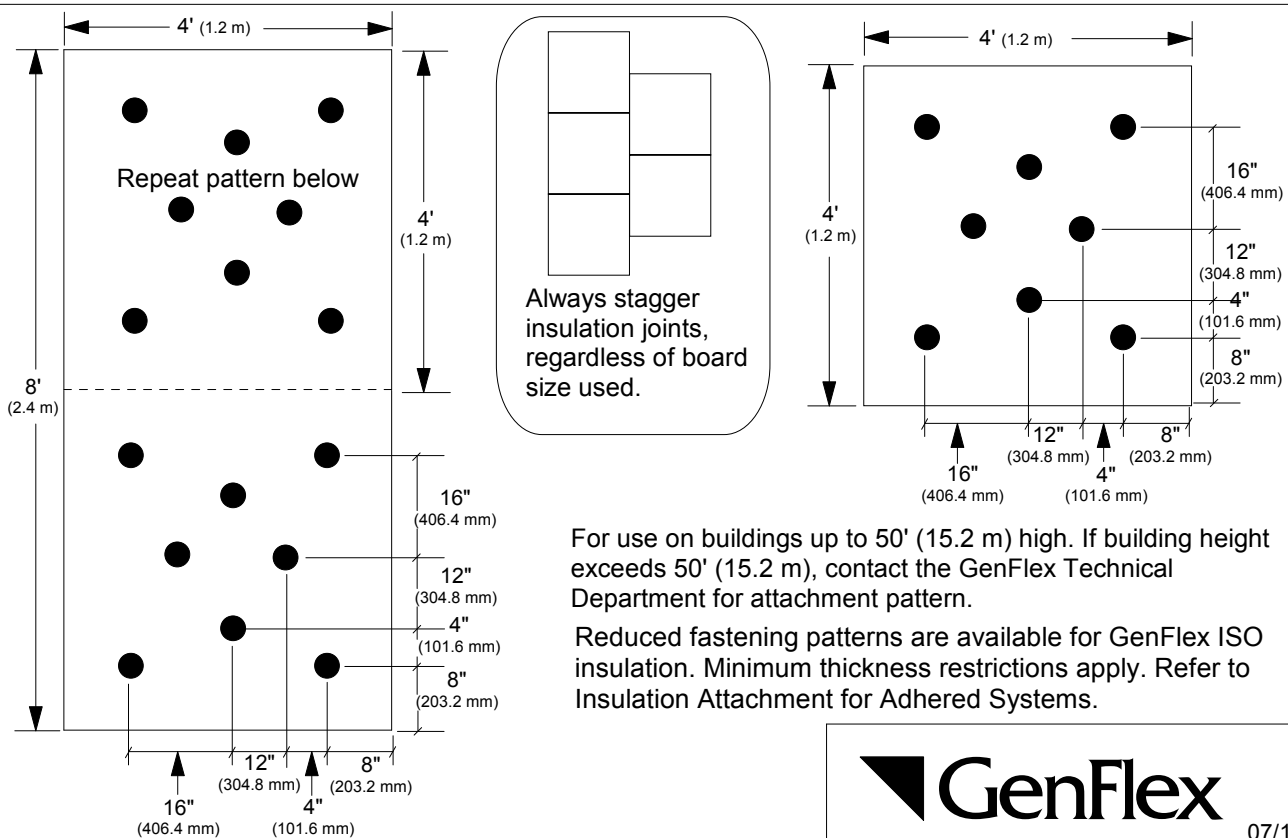
Refer to detail PS-6.01 for seaming options.



**Insulation Placement
and Cross Section**

Detail #: PS-41.02

Peel & Stick TPO Systems



Standard Insulation Securement

Detail #: PS-41.05

Peel & Stick TPO Systems