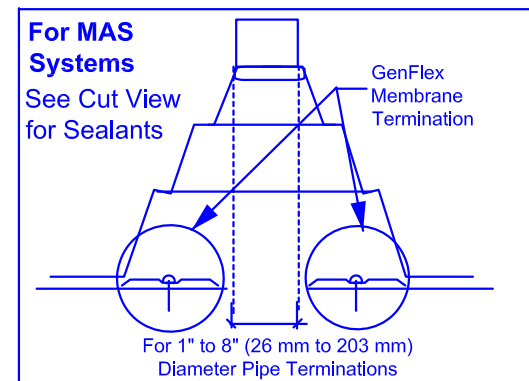


1. When using GenFlex Seam Tape Products, first clean the membrane with GenFlex EPDM Cleaner. Then apply GenFlex Primer.
2. Cut above rib to fit desired pipe size.
3. If field seam intersects within the pipe boot flange or T-Joint Cover is required.
4. Apply Water Stop to the penetration where the boot will be compressed with the clamping ring.
5. Install membrane securement, consisting of four (4) GenFlex fasteners & seam plates per pipe flashing. When possible, install close enough to be covered by boot flange without interfering with the boot to deck membrane seam area.
6. Apply Termination Caulk to the top of the pipe boot as shown above.



Peel & Stick Prefabricated Pipe Boot

EPDM Systems

ACCEPTABLE SYSTEMS:
All Systems

MAXIMUM WARRANTY: **20 Years**

ISSUE / REVISION
DATE:
6-24-2015

NOT TO SCALE

DETAIL NO.

E-7.03